

**NOBLES®**

# Speedshine

## 1200, 1600 & 2000

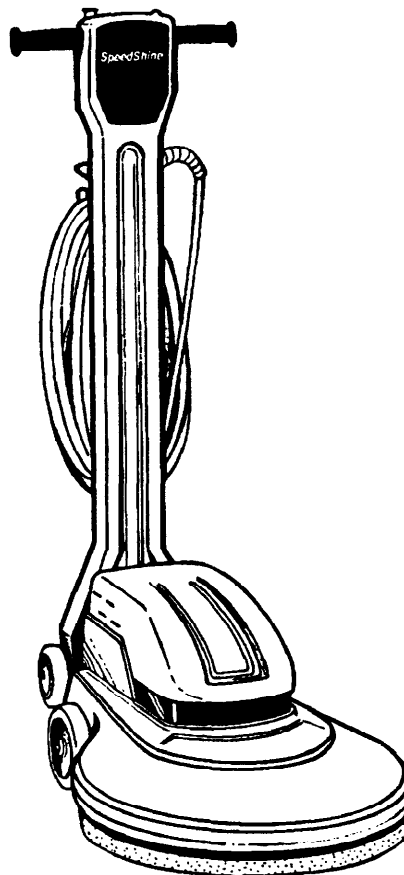
**Operator Manual  
& Parts List**

**MODELS: SPR1200H, SPR1600H, SPR2000H**

U.S. PATENT NO.: D.343,932 & D.345,035



PDF Version of manual by:  
Michigan Company Inc.  
2011 N. High St.  
Lansing, Mich. 48906  
(517) 484-9312  
<http://www.Michco.com>



**NOBLES INDUSTRIES**  
12875 RANSOM STREET  
HOLLAND MI 49424

A **TENNANT** COMPANY

1-800-739-9359  
616-786-2330  
FAX: 1-800-678-4240  
CUSTOMER SERVICE: 1-800-365-6625

173130  
Rev. 05 (04-96)

# OPERATION

This manual is furnished with each new Speedshine Model . It provides necessary operation and machine care instructions. **Read this manual completely and understand the machine before operating or servicing it.**

This machine will provide excellent service. However, the best results will be obtained at minimum costs if:

- The machine is operated with reasonable care.
- The machine is maintained regularly - per the machine care instructions provided.
- The machine is maintained with manufacturer supplied or equivalent parts.

## TABLE OF CONTENTS

SAFETY PRECAUTIONS .....	2
MACHINE COMPONENTS .....	3
MACHINE SET-UP .....	3
MACHINE OPERATION .....	4
MACHINE CARE .....	5
TROUBLE SHOOTING/SPECIFICATIONS .....	6
WIRE DIAGRAM .....	7
PARTS LIST	
UPPER UNIT .....	8
LOWER UNIT .....	10

## MACHINE DATA

Please fill out at time of installation for future reference.	
Machine Model No.-	_____
Machine Serial No.-	_____
Nobles Rep. Ph.No.-	_____
Date of Installation-	_____

## SAFETY PRECAUTIONS

This machine is suited to burnish floors in a indoor environment and is not constructed for any other use. Use only recommended pads and cleaning solutions. The following precautions are used throughout this manual as indicated in their description:

**⚠ WARNING:** To warn of hazards or unsafe practices which could result in severe personal injury or death.

**FOR SAFETY:** To identify actions which must be followed for safe operation of equipment.

### FOR SAFETY:

The following information signals potentially dangerous conditions to the operator or equipment:

1. **Do Not Operate Machine:**
  - Unless Trained And Authorized.
  - Unless Operator Manual Is Read And Understood.
  - If It Is Not In Proper Operating Condition.
2. **Before Operating Machine:**
  - Remove Loose Objects On Floor. Loose Objects May Become Dangerous Projectiles If Struck By Revolving Pad.
  - Check Area For Flammable Liquids Or If Gases Are Present.
  - Check Cable And Plug For Damage.

3. **When Operating Machine:**
  - Keep Hands And Feet Away From Revolving Pad.
  - Do Not Run Over Power Supply Cord, A Hazard May Occur.
  - Do Not Wear Open-Toed shoes, Sandals Or Go Bare Feet.
  - Keep Machine Moving To Prevent Damage To Finish Or Floor.
  - Always Work Within Cable Length To Avoid Cable Stress And Damage.
  - Do Not Release Twist Grips At Any Time. When Stopping Machine Wait To Release Twist Grips Until Pad Comes To A Complete Stop.
4. **Before Leaving or Servicing Machine:**
  - Turn Off Machine And Unplug Power Cord From Outlet.
  - Tilt machine back on rear wheels to prevent pad and pad driver damage.

**⚠ WARNING:** Hazardous Voltage. Shock Or Electrocution Can Result. Always Unplug Power Cord Before Working On Machine.

**⚠ WARNING:** Do Not Store Outdoors And Avoid Getting Wet.

**⚠ WARNING:** The Use of Supplies Other Than Those Recommended by Manufacturer May Cause Damage.

**MACHINE COMPONENTS**

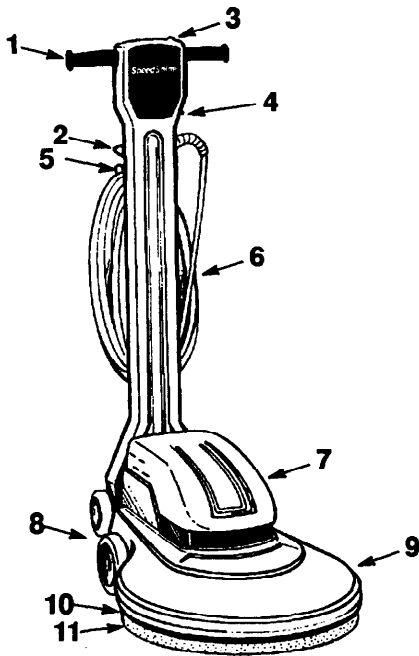


FIG. 1.

1. Twist Grips
2. Handle Release Lever
3. Safety Lock Button
4. Circuit Breaker Button
5. Power Cord Hook
6. 23m Power Cord
7. Motor Cover
8. Wheels
9. Burnish Head
10. Flexible Pad Driver
11. Burnish Pad

**MACHINE SET-UP**

1. Carefully check carton for signs of damage. Report damages at once to carrier. Check whether cord plug installed corresponds to your wall outlet.
2. Your Speedshine is shipped fully assembled. Pads are sold separately. Select and install recommended pad that best meets your needs.

**IMPORTANT: Proper Pad selection is important for best results. See your authorized distributor to assist you in choosing the right pad for your specific cleaning needs.**

3. To install pad: Tilt machine back on wheels until machine is resting on handle.
4. Remove yellow center-lock by turning counterclockwise.
5. Place selected pad on flexible pad driver and replace center-lock. Be certain center-lock is tight (Fig. 2).

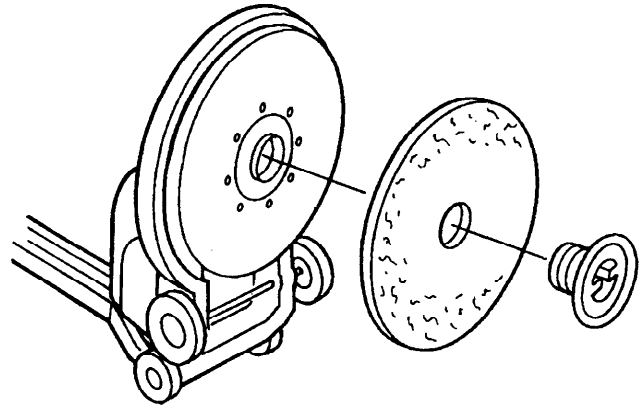


FIG. 2.

6. After pad is installed return machine to upright position.
7. Plug power supply cord to a grounded wall outlet (Fig. 3).

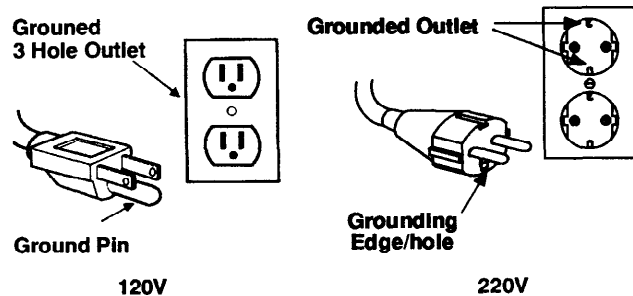


FIG. 3.

**⚠ WARNING: To prevent the risk of electric shock, machine MUST be grounded.**

# OPERATION

## MACHINE OPERATION

1. Read and understand safety information before operating.
2. Release handle from upright position: Lift handle release lever and lower handle (Fig. 4).

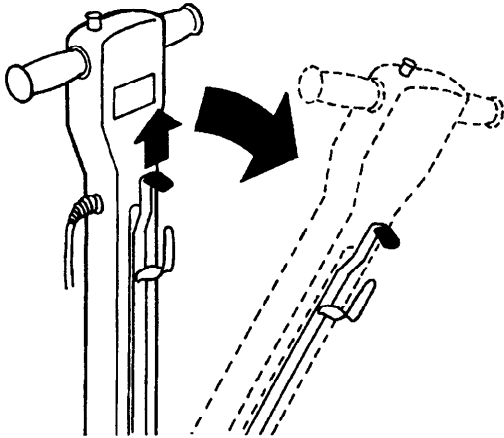


FIG. 4.

**NOTE:** Handle does not lock while in lowered position. It is designed to allow burnish head to float freely.

**⚠ WARNING:** Take extreme caution when beginning to operate machine. Machine will jolt quite aggressively once twist grips are turned.

3. Start machine by pressing safety lock button and turning twist grips forward. Release thumb from safety lock button once machine starts (Fig. 5).

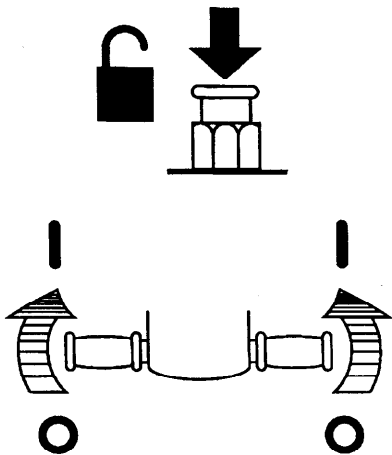


FIG. 5.

4. Begin burnishing or spray buffing by pushing machine forward or using a "W" pattern motion.

**NOTE:** Spray buffing with the 2000 rpm model is not recommended. This machine requires more amp draw due to its higher speed. Spray buffing with 2000 rpm model may increase pad friction and cause circuit

breaker to trip. The 1200 rpm model is recommended for spray buffing

5. To prevent the possibility of motor overload and causing circuit breaker to trip. Periodically check pad for excessive soil build-up. Turn pad over, clean or replace when necessary.

**NOTE:** If Circuit Breaker should trip, unplug power cord. Wait at least 15 seconds before resetting breaker switch. While waiting determine reason why circuit breaker tripped ( Fig. 6).

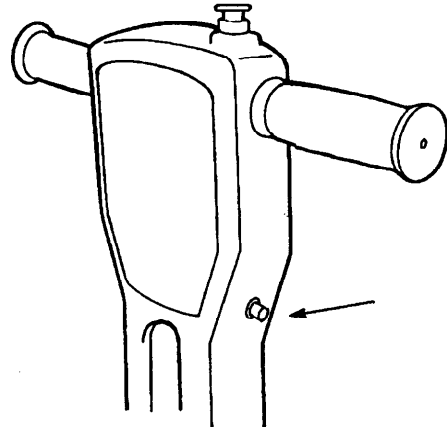


FIG. 6.

**⚠ WARNING:** To avoid serious personal injury, always unplug machine when removing pads.

6. To stop machine: Rotate twist grips backward and safety lock button will engage.

**⚠ WARNING:** To avoid serious personal injury, always wait until pad comes to a complete stop before letting go of twist grips.

7. When job is completed, remove pad from pad driver to prevent pad damage.
8. Always store machine tilted back on rear wheels to prevent pad driver damage.

## MACHINE CARE

**⚠ WARNING:** To avoid serious personal injury, always unplug machine before any type of machine care is performed.

1. Remove pad after every use. This prevents damage to pad.
2. Always store machine tilted back on rear wheels.
3. Clean machine base from spray buff and floor finish after every use.
4. Always wash pads after each use. Never use soiled pads or allow pads to become oversoiled before changing.
5. Always wind power cord around cord hooks rather than loosely looped over handle. Wipe cord with damp cloth after each use. Also, check power cord for damage, if worn or damaged, replace immediately.
6. Gear system and motor are factory lubricated and require no further attention.

7. Once a month check tension of drive belt. To tighten belt: Remove pad driver and loosen (4) hex screws on pad driver pulley bracket. Locate belt tension bolt and loosen lock nut, turn tension bolt clockwise until belt is taut, retighten lock nut (Fig 7).

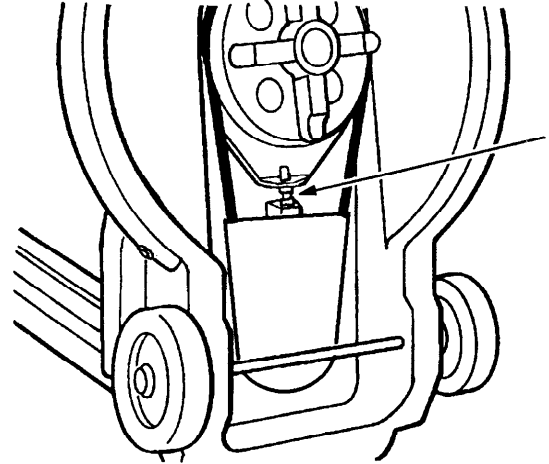


FIG. 7.

8. Every 250 hours of operation check motor's carbon brushes. Remove motor cover to access carbon brushes. Replace if worn.

# OPERATION

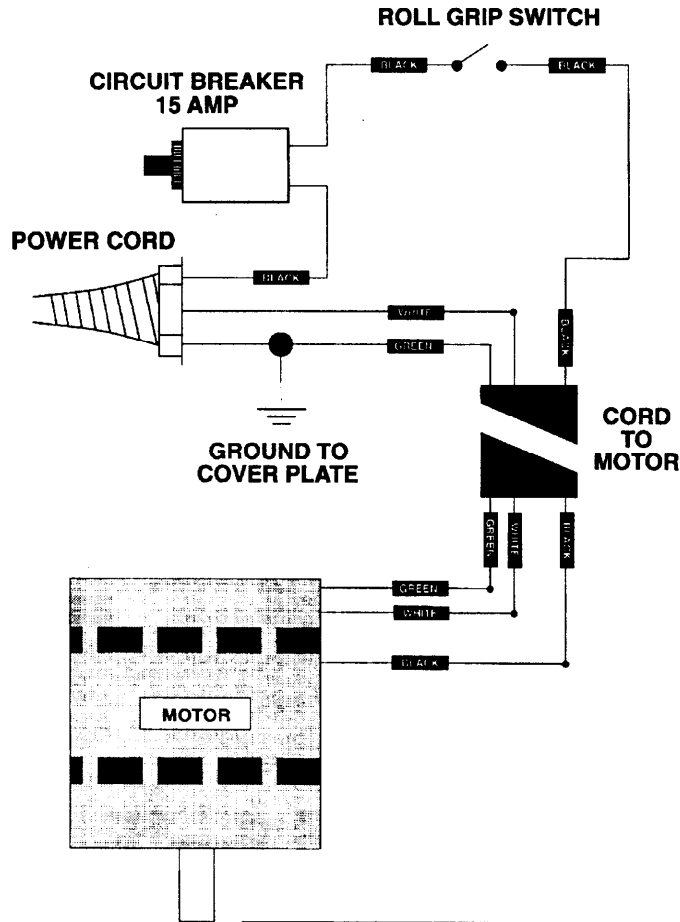
## TROUBLE SHOOTING

PROBLEM	CAUSE	SOLUTION
Motor does not operate.	Machine unplugged.	Plug machine in.
	Machine circuit breaker tripped. (Spray buffing with the 2000 rpm model is not recommended )	Determine cause and reset breaker on machine. Wait 15 seconds before restarting machine.
	Building circuit breaker tripped.	Reset breaker and change to different circuit.
	Faulty power cord.	Contact Service Center.
	Faulty wiring.	Contact Service Center.
	Faulty twist grip switch.	Contact Service Center.
	Faulty Rectifier	Contact Service Center.
Machine circuit breaker trips continuously.	Soiled Pad.	Replace Pad.
	Improper pad for application	Change to proper pad.
	Defective circuit breaker.	Contact Service Center.
	Worn carbon brushes in motor.	Contact Service Center.
Pad spins slowly or not at all.	Loose drive belt.	Tighten drive belt.
	Broken drive belt.	Replace drive belt.

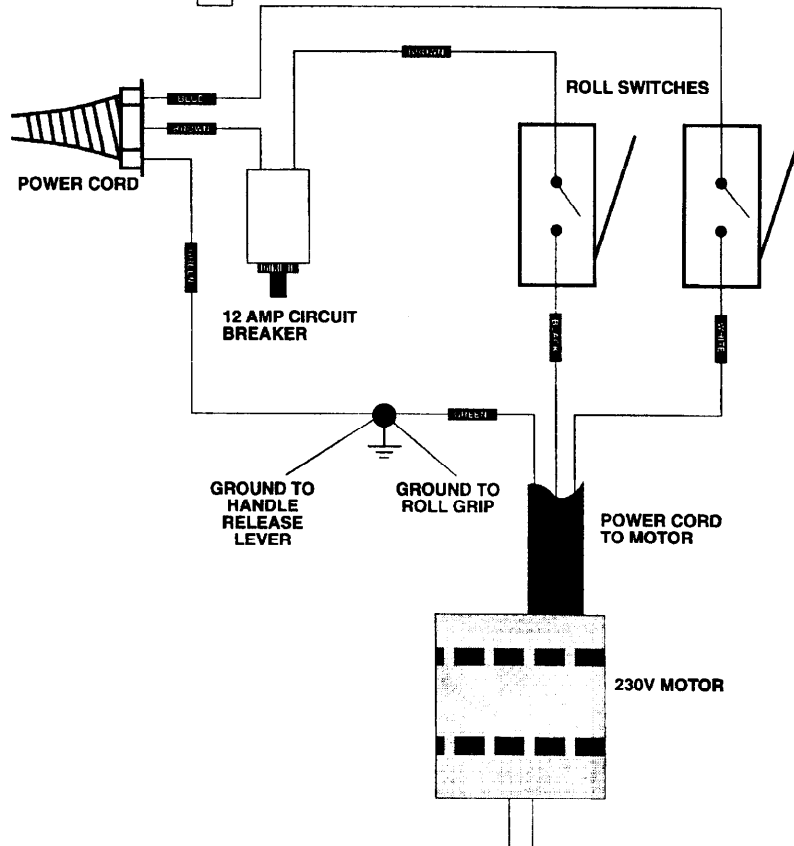
## SPECIFICATIONS

MODEL NO.	SPR1200H	SPR1600H	SPR2000H
WIDTH	53cm / 20.75"	53cm / 20.75"	53cm / 20.75"
HEIGHT	124cm / 49"	124cm / 49"	124cm / 49"
LENGTH	76cm / 29.75"	76cm / 29.75"	76cm / 29.75"
WEIGHT	31Kg / 68 lbs.	31Kg / 68 lbs.	31Kg / 68 lbs.
DRIVE MOTOR	230V, 1.12kW, 8AMP, 50Hz	230V, 1.12kW, 8AMP, 50Hz	230V, 1.12kW, 8AMP, 50Hz
	120V, 1.5hp, 15AMP, 60Hz	120V, 1.5hp, 15AMP, 60Hz	120V, 1.5hp, 15AMP, 60Hz
PAD/BRUSH SPEED	1200 RPM	1600 RPM	2000 RPM
POWER CORD LENGTH	23m / 75' Gauge 3X1.5mm	23m / 75' Gauge 3X1.5mm	23m / 75' Gauge 3X1.5mm
PAD DIAMETER	51cm / 20"	51cm / 20"	51cm / 20"
DECIBEL RATING AT OPERATOR'S EAR, INDOORS ON TILE FLOOR	70dB(A)	70dB(A)	70dB(A)

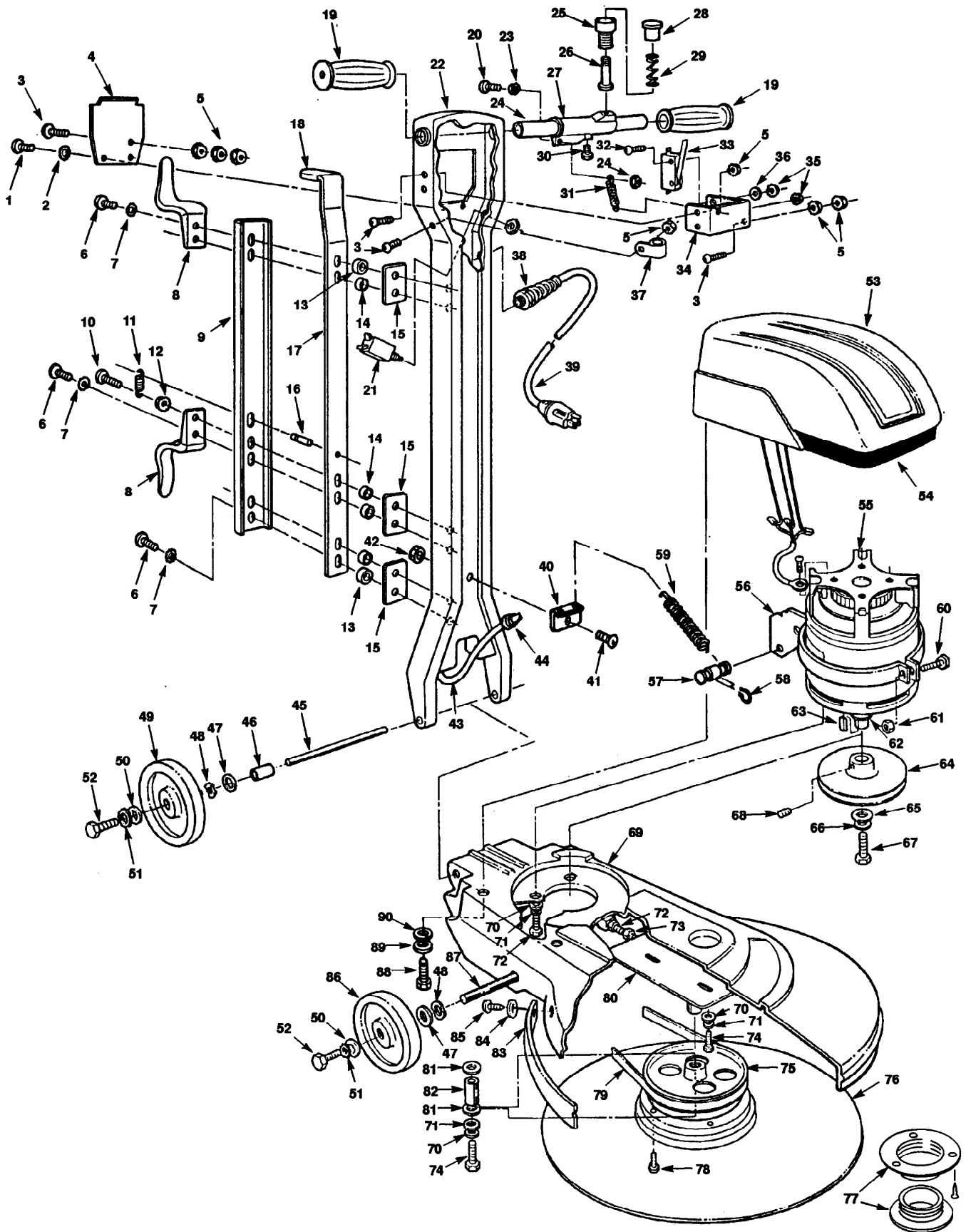
120V



220V



# PARTS LIST



# PARTS LIST

REF.	PART #	DESCRIPTION	QTY	REF.	PART #	DESCRIPTION	QTY.
1.	140831	SCREW, 10-24x3/8	2	51.	140016	WASHER, LOCK 1/4	4
2.	140018	WASHER, 10-24x1/2	2	52.	140553	SCREW, 1/4-20x1/2	4
3.	140823	SCREW, 10-24x5/8	5	53.	100240	COVER, MOTOR	1
4.	230013.NLG	COVER, HANDLE	1	54.	120582	DECAL, COVER	1
5.	140519	NUT, 10-24	8				
6.	140864	SCREW, 1/4-20x3/4	5	55.	130498	MOTOR, 120V (Imperial Motor)*	1
7.	140052	WASHER, 1/4 STAR	5		190743	RECTIFIER, 120V (Imperial Motor)*	1
8.	230427	HOOK, CORD	2		22117	CARBON BRUSHES 120V (Imp. Motor)*	1
9.	230859	CHANNEL	1		600825	MOTOR, 120V (Ohio Motor)* See note below	1
10.	140881	SCREW, 1/4-20x1	1		190753	RECTIFIER, 120V (Ohio Motor)*	1
					190752	CARBON BRUSHES 120V (Ohio Motor)*	1
					130499	MOTOR, 230V	1
11.	140402	SPRING	1		190312	RECTIFIER, 230V	1
12.	140524	NUT, 1/4-20	1		190311	BRUSHES 230V	1
13.	140146	BUSHING 1/4-20	2				
14.	140147	BUSHING 1/4x7/16	4	56.	230918	PLATE, LATCH	1
15.	230852	PLATE	3	57.	230772	PIN, PLATE	1
				58.	140421	RING, PIN	2
16.	140604	PIN	1	59.	140437	SPRING	2
17.	230860	HANDLE, LATCH	1	60.	140221	SCREW, 5/16-18x1-1/4	1
18.	200821	GRIP, LATCH	1				
19.	200823	GRIP, HANDLE	2	61.	140546	NUT, 5/16-18	1
20.	6010.16	SCREW, 8-32x1	1	62.	230447	SPACER, PULLEY	1
				63.	140628	KEY, PULLEY	1
21.	20796	BREAKER, 17A (1200&1600)	1	64.	240075	PULLEY, 1200 RPM	1
	130752	BREAKER, 20A (2000)	1		240076	PULLEY, 1600 RPM	1
	130670	BREAKER, 12A 230V	1		240077	PULLEY, 2000 RPM	1
22.	100383	HANDLE	1				
23.	28990	NUT, LOCK 8-32	2	65.	25732	WASHER, 1-1/4x.359	1
24.	230853	TUBE, HANDLE	1	66.	140015	WASHER, LOCK 5/16	1
				67.	140223	SCREW, 5/16-18x3/4	1
25.	230857	SOCKET, LOCK	1	68.	140859	SCREW, SET (1200&1600)	1
26.	230856	PIN, LOCK	1	69.	100239	BASE	1
27.	100355	SLEEVE, LOCK	1				
28.	230855	BUTTON, LOCK	1	70.	140013	WASHER, 3/8	9
29.	140401	SPRING, LOCK	1	71.	140017	WASHER, LOCK 3/8	9
				72.	140232	SCREW, 3/8-16x1-1/4	5
30.	140554	SCREW, 1/4-20x3/4	1	73.	140545	NUT, JAM 3/8-16	1
31.	600987	SPRING	1	74.	140201	SCREW, 3/8-16x3/4	5
32.	140829	SCREW, 6-32x1 (115V)	2				
	140830	SCREW, 6-32x1-3/4 (230V)	2	75.	230425	PULLEY, DRIVE	1
33.	28657	SWITCH (115V-230V)	1-2	76.	240240	DRIVER, PAD (Includes:#77)	1
34.	230854	BRACKET, SWITCH	1	77.	621326000	RING, PAD ONLY	1
					621327000	LOCK, PAD ONLY	1
					572084000	WASHER, PAD LOCK (NOT SHOWN)	1
35.	140539	NUT, 6-32	2	78.	140949	SCREW, 5/16-18x1-1/4	4
36.	140032	WASHER, #6 FLAT	1				
37.	140328	CLAMP	1	79.	240078	BELT, (1200)	1
38.	130167	GRIP, CORD	1		240079	BELT, (1600)	1
39.	130214	CORD, 14/3x75' (115V)	1		240080	BELT, (2000)	1
	130276	CORD, 3x1.5mmx75' (230V)	1	80.	230448	BRACKET, BASE	1
				81.	140123	BEARING	2
40.	230773	BRACKET, SPRING	1				
41.	140864	SCREW, 1/4-20x3/4	1	82.	230446	SPACER	1
42.	140501	NUT, 1/4	1	83.	100090	BUMPER	4.5ft
43.	130204	CORD, 14/3	1	84.	140003	WASHER, 1/4	2
44.	130141	BUSHING	1	85.	140824	SCREW, 1/4-20x5/8	2
				86.	103067	WHEEL	2
45.	230930	SHAFT, HANDLE	1				
46.	140148	BUSHING	2	87.	230445	AXLE	1
47.	3148.816	WASHER, FLAT 7/8x1/2	4	88.	140213	SCREW, 1/4-20x2	4
48.	4252	WASHER, 1/2	4	89.	140016	WASHER, LOCK 1/4	4
49.	103066	WHEEL	2	90.	140000	WASHER, FLAT 1/4	4
50.	140003	WASHER, 1/4x1	4				

\* To identify type of motor, refer to serial no. tag on machine. The third to the last digit of serial no. will either be an "O" for Ohio or an "I" for Imperial.

**NOTE:** 120V "Ohio" Motor (#600825) is recommended for the Speedshine 1200 and 1600 models only. Use motor #130489 for 2000 models. Kit #600826 is required when ordering #600825 motor.