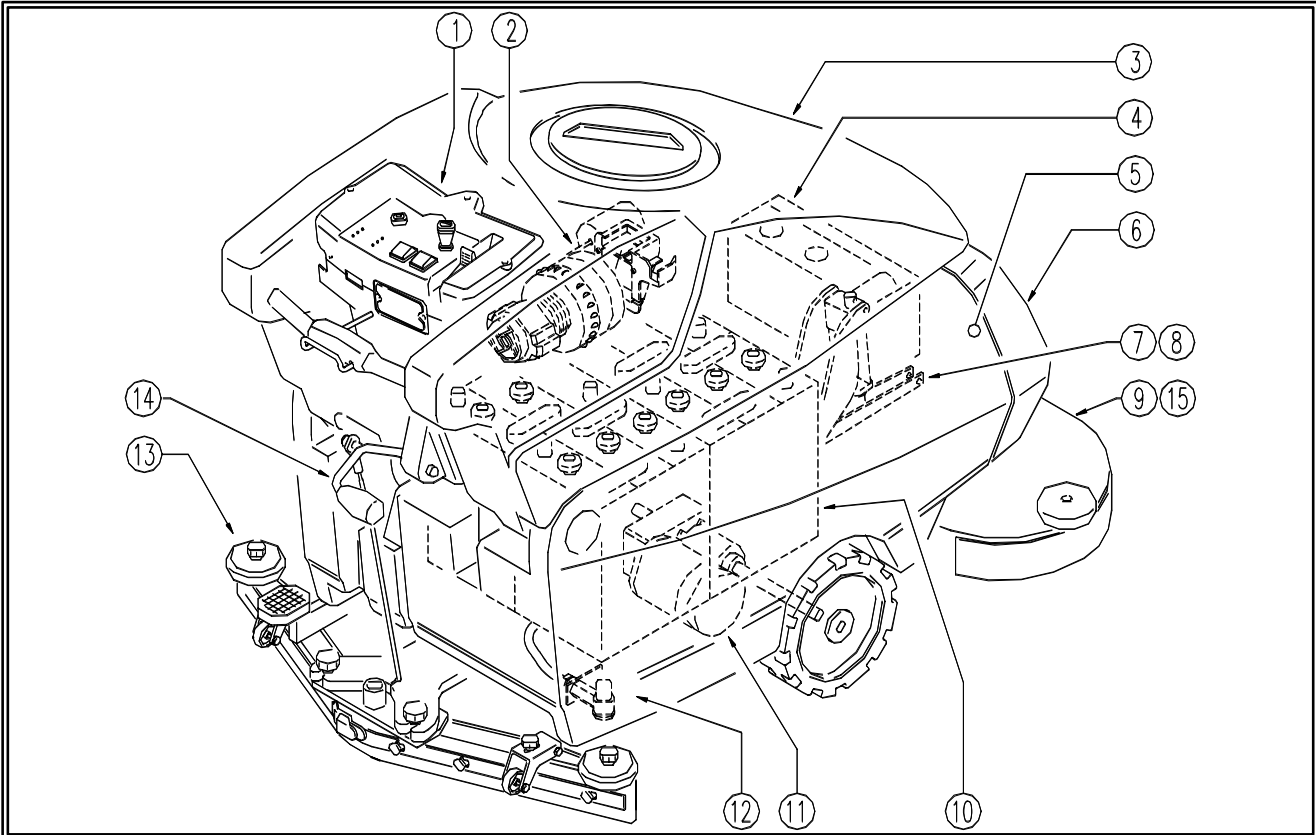




Click on icon to return to this page.

← Back 1 page

PANTHER 32 CODE: PF02381NTG-1 ab SN from 01C687

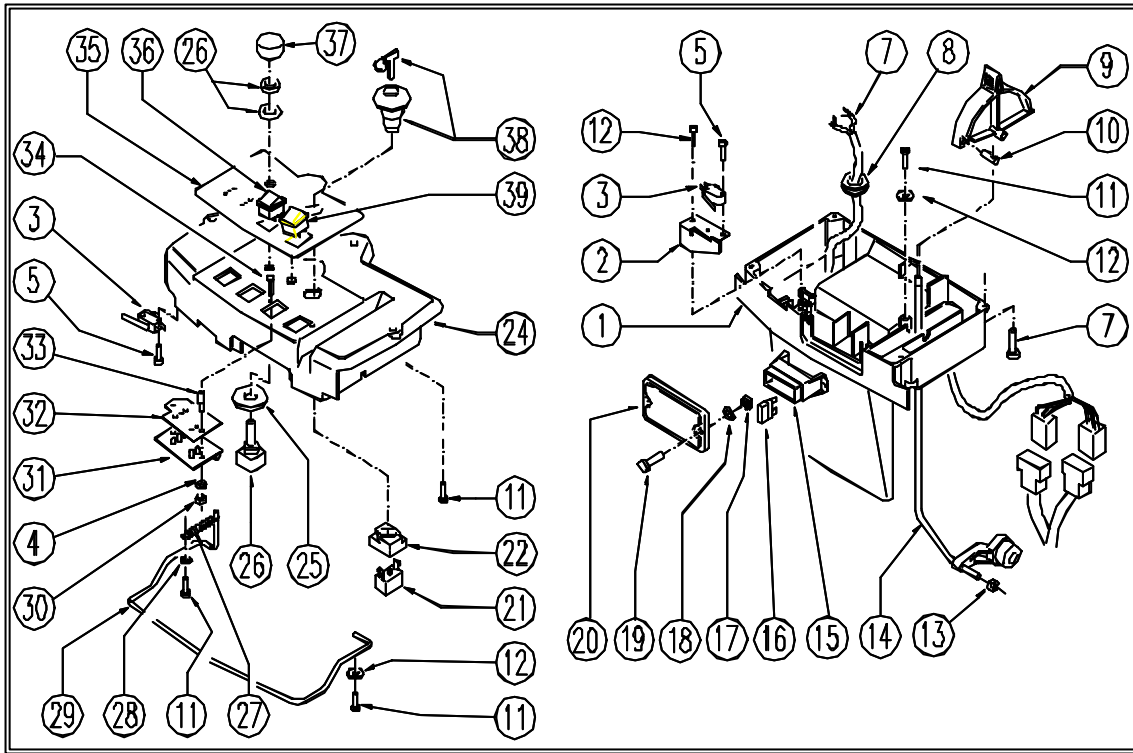


REF.	CODE	DESCRIPTION	QTY
1	PL1420	CONTROL PANEL	
2	PL1421	ASPIRATOR	
3	PL1422	TANK	
4	PL1431	ELECTRIC UNIT	
5	PL1423	TANK	
6	PL1433N	EXTERNAL PARTS	
7	PL1428	HEAD LIFT-1	
8	PL1429	HEAD LIFT-2	
9	PL1426	HEAD 85	
10	PL1432	BATTERY	
11	PL1424	DRIVE - BRAKE	
12	PL1427	HYDRAULIC UNIT	
13	PL1452	SQUEEGEE	
14	PL1430	SQUEEGEE LIFT	
15	PL1435	BRUSHES	
	EPF02381N-1	LABELS - DOCUMENTS	
	IPF02380-1	PACKING	
	WD27195	WIRING DIAGRAM	
	WD27195-1	ELEC. SCHEMATIC DIAGRAM	



← Back 1 page

PANTHER 32 CODE: pl1420 ac SN from 01C687



PANTHER 32 CODE: pl1420 ac SN from 01C687

REF.	CODE	DESCRIPTION	QTY
	GR23741	PREASSEMBLED CTRL PANEL	1
1	SL17489-1L	CONTROL PANEL	1
2	SL39083	SPRING	1
3	SL23718	MICROSWITCH	3
4	SL06056	WASHER	2
5	SL04214	SCREW	6
6	SL04187	SCREW	6
7	SL23741	WIRING	1
8	SL23695	FAIRLEAD	1
9	SL17490-1	LEVER	1
10	SL09808	ARTICULATION	1
11	SL04327	SCREW	4
12	SL06014	WASHER	2
14	SL39114	ROD	1
13	SL05058	NUT	1
15	SL23894-1	FUSE HOLDER	1
16	SL23144	FUSE	3
17	SL05077	NUT	2
18	SL03116	GASKET	4
19	SL04377	SCREW	2
20	SL17149-1	LID	1

Next page →



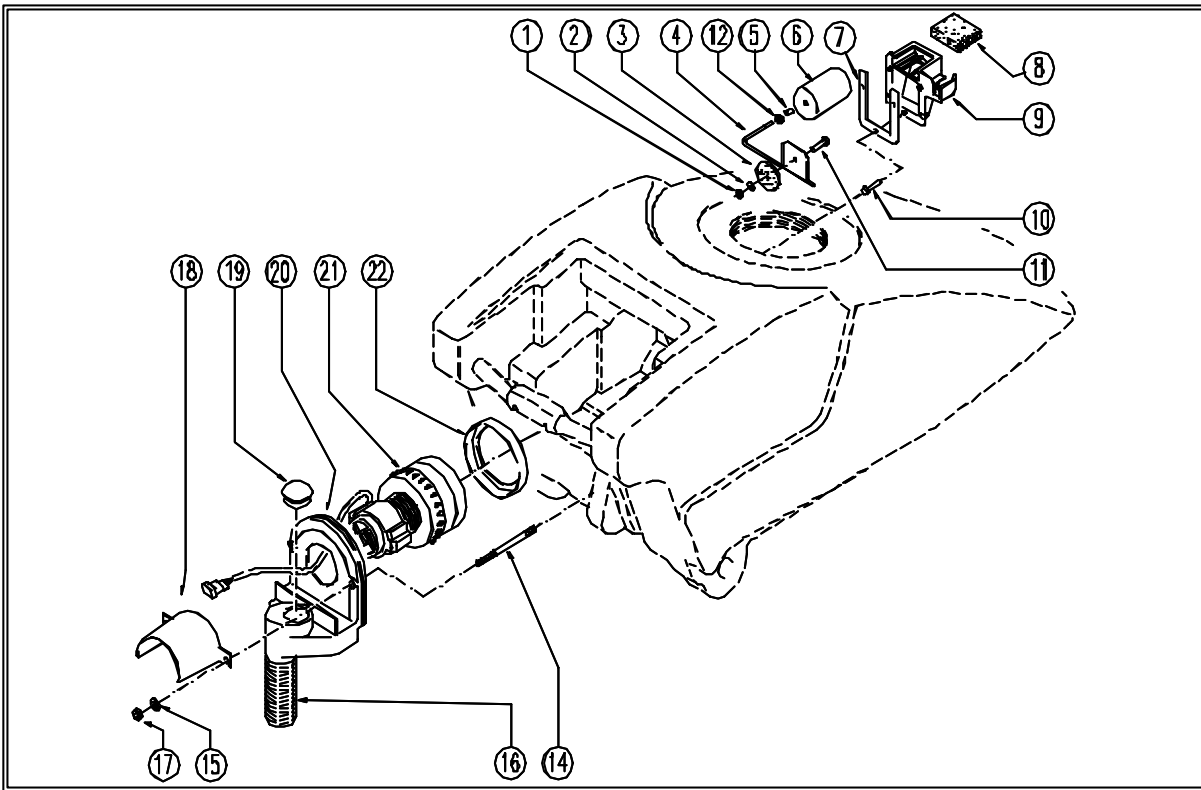
← Back 1 page

PANTHER 32 CODE: pl1420 ac SN from 01C687			
REF.	CODE	DESCRIPTION	QTY
21	SL23956	CONNECTION	1
22	SL23955	BASE	1
24	SL17488-1L	CONTROL PANEL	1
25	SL06011	WASHER	2
26	SL23872	POTENTIOMETER	1
27	SL13090	SPRING	1
28	SL06019	WASHER	1
29	SL39059	LEVER	1
30	SL05019	NUT	2
31	SL23738	BOARD	1
32	SL03554	PLAQUE	1
33	SL07534	SPACER	2
34	SL04384	SCREW	2
35	SL25887	CONTROL PANEL STICKER	1
36	SL23649	SWITCH	1
37	SL23821	HANDGRIP	1
38	SL23954	OPERATOR	1
39	SL23708	PUSH-BUTTON	1



← Back 1 page

PANTHER 32 CODE: pl1421 ab SN from 01G000

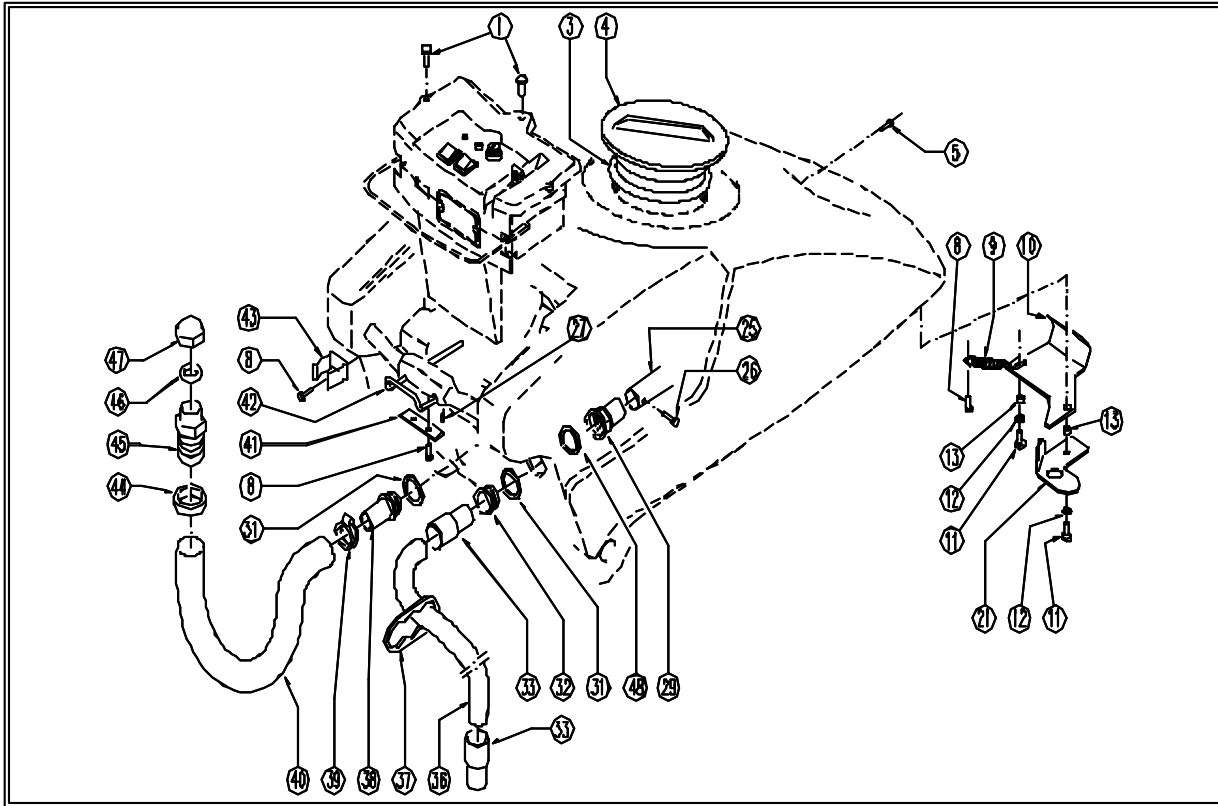


REF.	CODE	DESCRIPTION	QTY
1	SL05087	NUT	1
2	SL06038	WASHER	1
3	SL03346	GASKET	1
4	SL09827	ROD	1
5	SL04388	INSERT	1
6	SL18393	FLOAT	1
7	SL03429	GASKET	1
8	SL03345	FILTER	1
9	SL17492-1	SUPPORT	1
10	SL04095	SCREW	3
11	SL04310	SCREW	1
12	SL05017	NUT	1
14	SL04276	SCREW	2
15	SL06022	WASHER	2
16	SL19335	PIPE	1
17	SL05041	NUT	2
18	SL03514	SUCTION CONVEYOR	1
19	SL14240	CAP	1
20	SL03297	CAP / SHELL	1
21	SL02303-J	EXHAUSTER / ASPIRATOR	1
22	SL03159	GASKET	1



← Back 1 page

PANTHER 32 CODE: pl1422 ad SN from 01H38



PANTHER 32 CODE: pl1422 ad SN from 01H38

REF.	CODE	DESCRIPTION	QTY
1	SL04377	SCREW	3
3	SL03487	GASKET	1
4	SL17468	LID	1
5	SL04311	SCREW	2
8	SL04371	SCREW	5
9	SL13090	SPRING	1
10	SL39069	HOOKING / COUPLING	1
11	SL04269	SCREW	2
12	SL06041	WASHER	2
13	SL07150	BUSHING / BUSH	2
21	SL39109	PLAQUE	1
25	SL07547	PIPE	1
26	SL04325	SCREW	1
27	SL04319	SCREW	1
29	SL18349	UNION/CONNECTOR	1
31	SL03416	GASKET	2
32	SL18355	SUCTION OPENING	1
33	SL14003	SLEEVE	2
36	SL19021	HOSE	1
37	SL03437	PLAQUE	1
38	SL18362	HOSE HOLDER	1

Next page →

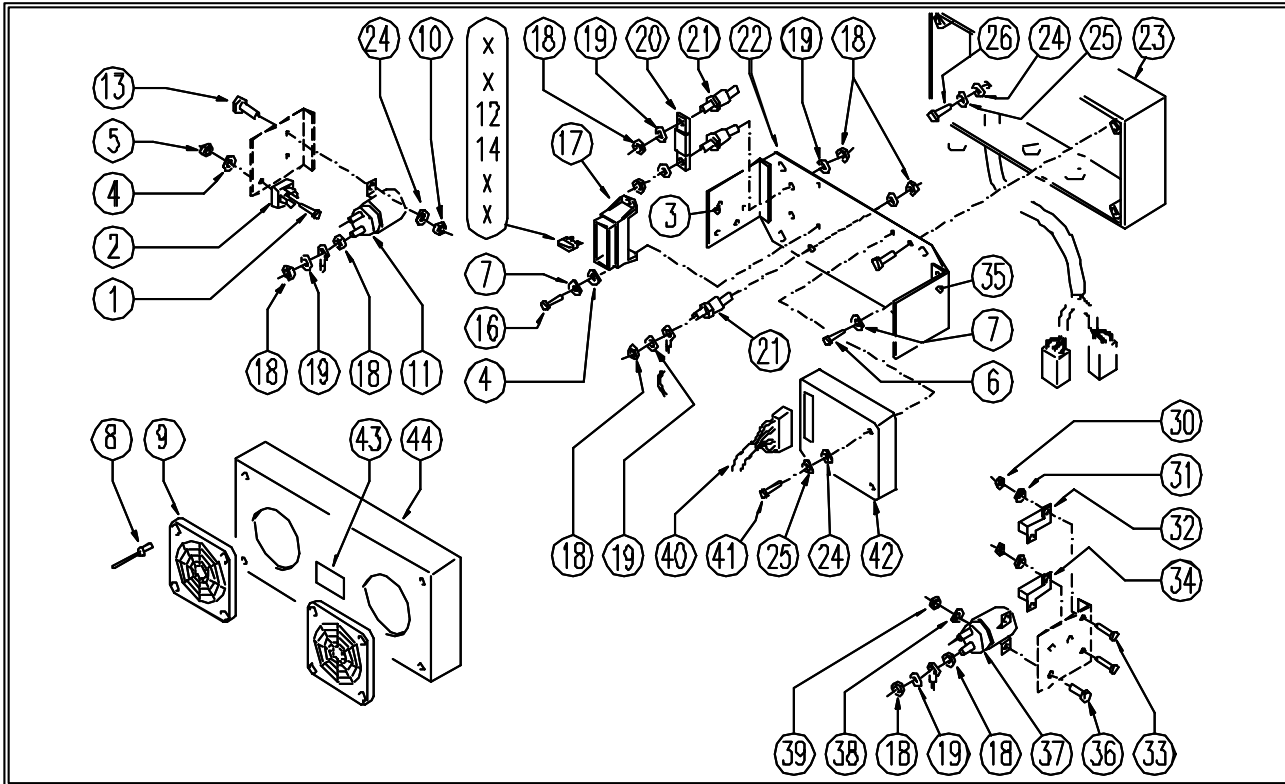


← Back 1 page

PANTHER 32 CODE: pl1422 ad SN from 01H38			
REF.	CODE	DESCRIPTION	QTY
39	SL14354	CLAMP	1
40	SL19089	HOSE	1
41	SL39076	PLAQUE	1
42	GR39060	PUSH-BUTTON	1
43	SL13045	DUCT LOCK	1
44	SL07470	NUT	1
45	SL18377	UNION / CONNECTOR	1
46	SL03441	GASKET	1
47	MP18378	CAP	1
48	SL03469	GASKET	1



PANTHER 32 CODE: pl1431 ac SN from 01K374



PANTHER 32 CODE: pl1431 ac SN from 01K374

REF.	CODE	DESCRIPTION	QTY
1	SL04149	SCREW	1
2	SL23081	BRIDGE / JUMPER	1
3	SL39082-1	BRACKET	1
4	SL06019	WASHER	8
5	SL05034	NUT	2
6	SL04226	SCREW	4
7	SL06107	WASHER	4
8	SL14039	RIVET	8
9	SL03578	GRATING	2
10	SL05043	NUT	2
11	SL23001	REMOTE CONTROL SWITCH	1
12	SL23892	FUSE	1
13	SL04081	SCREW	2
14	SL23650	FUSE	1
16	SL04186	SCREW	2
17	SL23894	FUSE HOLDER	1
18	SL05004	NUT	18
19	SL06083	WASHER	14
20	SL23740	FUSE	1
21	SL23103	SUPPORT	3
22	SL39082	PLATE	1



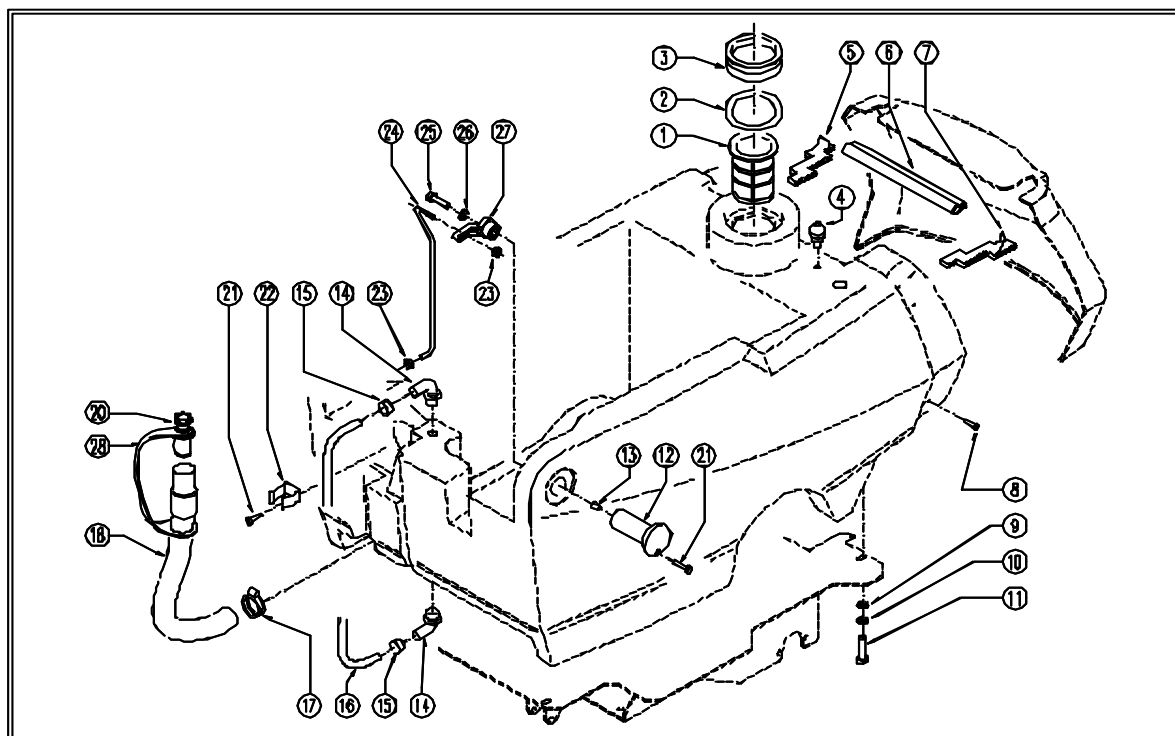
← Back 1 page

PANTHER 32 CODE: pl1431 ac SN from 01K374			
REF.	CODE	DESCRIPTION	QTY
23	SL23716-2	BOX BASE	1
24	SL06034	WASHER	6
25	SL06094	WASHER	4
26	SL04371	SCREW	4
27	SL04327	SCREW	4
30	SL05019	NUT	4
31	SL06056	WASHER	4
32	SL23957	RESISTANCE	1
33	SL04179	SCREW	4
34	SL23397	RESISTANCE	1
35	SL39082-2	BRACKET	1
36	SL04092	SCREW	2
37	SL23735	REMOTE CONTROL SWITCH	1
38	SL06004	WASHER	2
39	SL05058	NUT	2
40	SL23221	CONNECTOR	1
41	SL04385	SCREW	2
42	SL23729	GEARCASE / BOARD	1
43	SL25187	LABEL	1
44	SL23716-1L	BOX COVER	1



← Back 1 page

PANTHER 32 CODE: pl1423 ad SN from 02A403



PANTHER 32 CODE: pl1423 ad SN from 02A403

REF.	CODE	DESCRIPTION	QTY
1	SL03526	FILTER	1
2	SL03575	GASKET	1
3	SL03566	GASKET	1
4	SL07529	PIN	1
5	SL03980	GASKET	1
6	SL03551	GASKET	1
7	SL03979	GASKET	1
8	SL04395	SCREW	4
9	SL06050	WASHER	4
10	SL06108	WASHER	4
11	SL04040	SCREW	4
12	SL17493-1	PIN	2
13	SL04171	INSERT	2
14	SL18232	UNION / CONNECTOR	2
15	SL14109	CLAMP	2
16	SL19097	HOSE	1
17	SL14063	CLAMP	1
18	SL19113-1	HOSE	1
20	SL18395	CAP	1
21	SL04371	SCREW	4
22	SL13118	DUCT LOCK	1
23	SL05041	NUT	2

Next page →



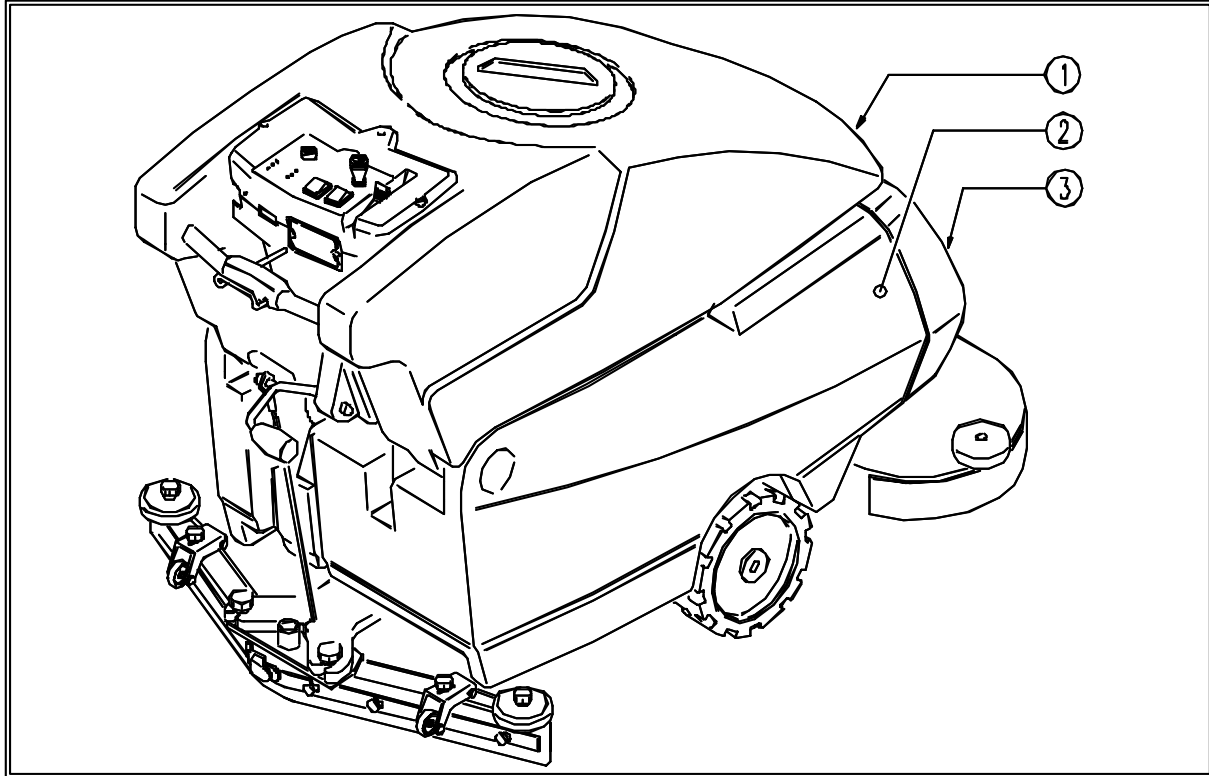
← Back 1 page

PANTHER 32 CODE: pl1423 ad SN from 02A403			
REF.	CODE	DESCRIPTION	QTY
24	SL39079	ROD	1
25	SL04180	SCREW	1
26	SL06015	WASHER	1
27	SL17491-1	LEVER	1
28	SL03577	CLAMP	1



← Back 1 page

PANTHER 32 CODE: pl1433N ab SN from 02A000

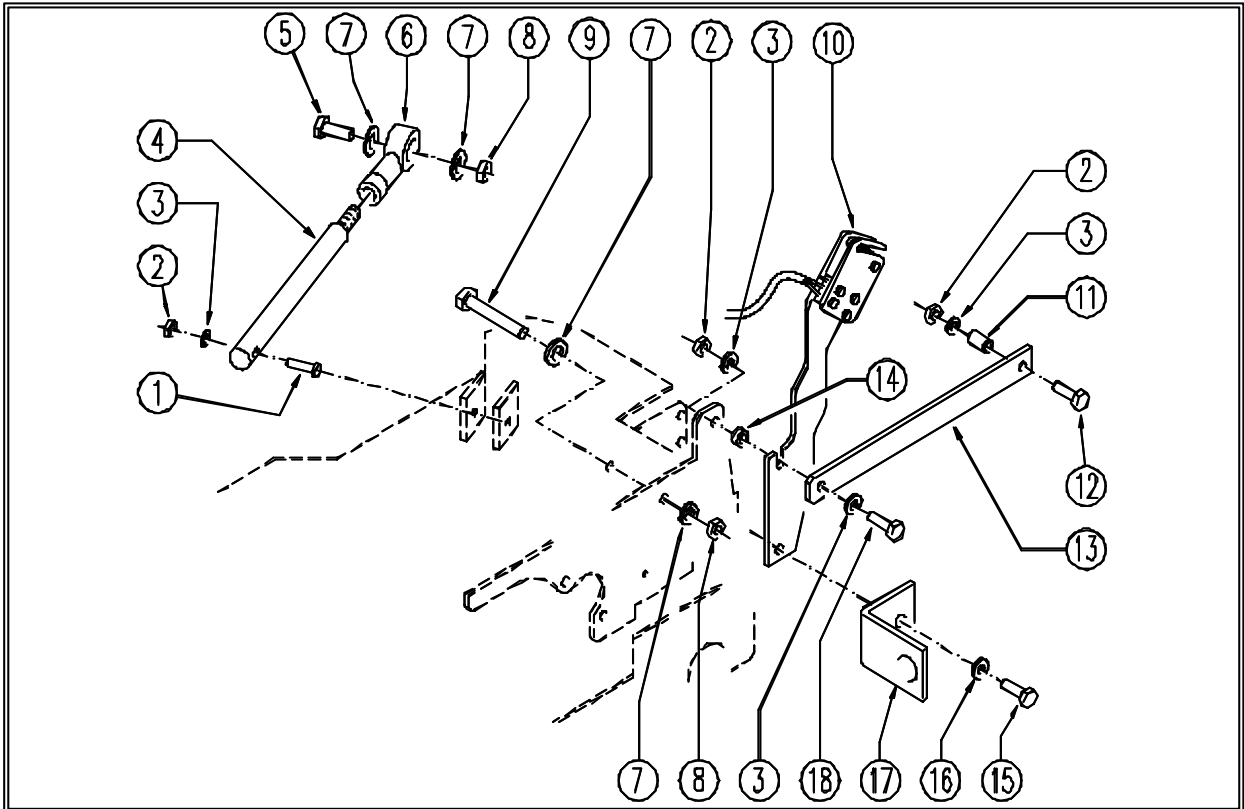


REF.	CODE	DESCRIPTION	QTY
1	SL17600AS	GREY TANK	1
1	SL17600BC	RED TANK	1
1	SL17600BL	BLUE TANK	1
2	SL17599	BLACK TANK	1
2	SL17599BL	BLUE TANK	1
3	SL17601	HOOD	1



← Back 1 page

PANTHER 32 CODE: pl1428 aa SN from 01B100

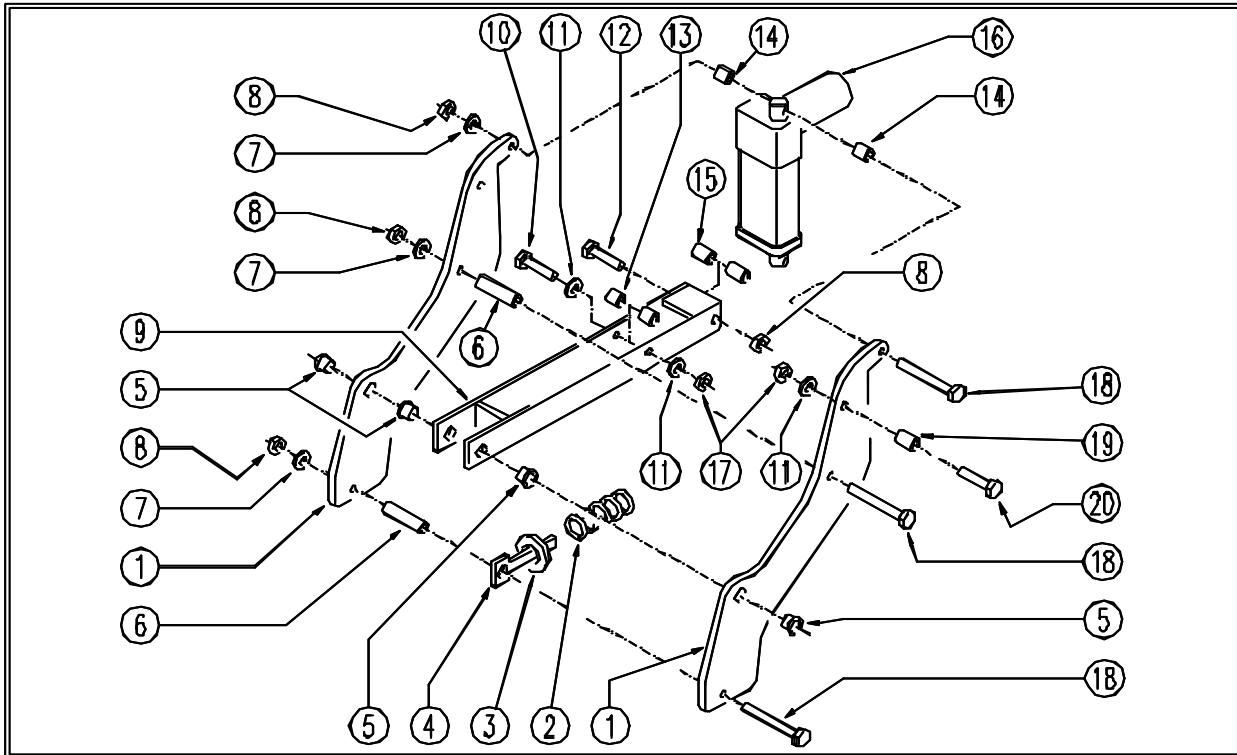


REF.	CODE	DESCRIPTION	QTY
1	SL04164	SCREW	1
2	SL05039	NUT	3
3	SL06041	WASHER	4
4	SL39072	LEVER	1
5	SL04304	SCREW	1
6	SL22004	ARTICULATION	1
7	SL06005	WASHER	4
8	SL05013	NUT	2
9	SL04151	SCREW	1
10	GR53004	SUPPORT ASSEMBLY	1
11	SL07112	SPACER	1
12	SL04127	SCREW	1
13	SL39073	LEVER	1
14	SL07150	SPACER	1
15	SL04134	SCREW	1
16	SL06083	WASHER	1
17	SL39112	SUPPORT	1
18	SL04075	SCREW	1



← Back 1 page

PANTHER 32 CODE: pl1429 aa SN from 01B100

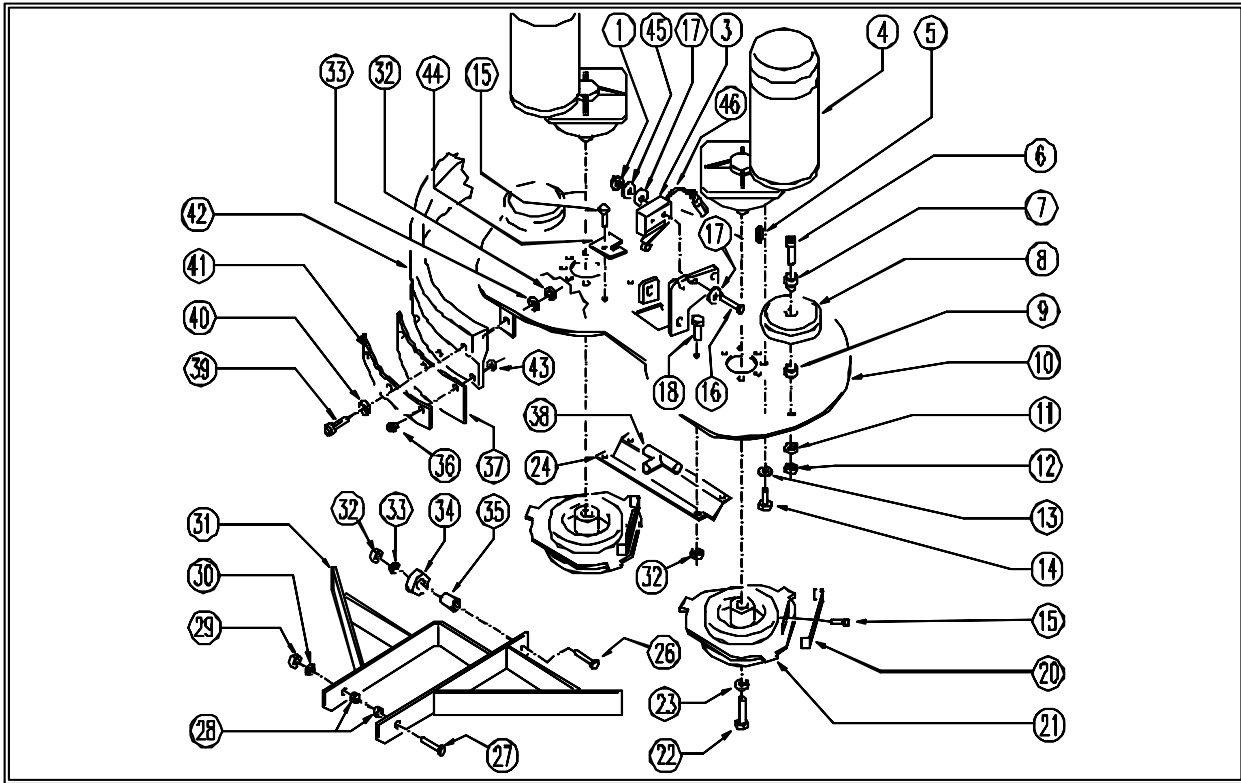


REF.	CODE	DESCRIPTION	QTY
1	SL39066	LEVER	2
2	SL13132	SPRING	1
3	SL06029	WASHER	1
4	SL39067	SPRING GUIDE	1
5	SL12072	BUSHING	4
6	SL07528	SPACER	2
7	SL06041	WASHER	3
8	SL05039	NUT	4
9	SL39074	LEVER	1
10	SL04387	SCREW	1
11	SL06022	WASHER	3
12	SL04200	SCREW	1
13	SL07318	SPACER	2
14	SL07527	SPACER	2
15	SL07063	SPACER	2
16	SL02204	ACTUATOR	1
17	SL05041	NUT	2
18	SL04201	SCREW	3
19	SL07165	SPACER	1
20	SL04133	SCREW	1



← Back 1 page

PANTHER 32 CODE: pl1426 af SN from 02C87



PANTHER 32 CODE: pl1426 af SN from 02C87

REF.	CODE	DESCRIPTION	QTY
1	SL05078	NUT	2
3	SL23200	MICROSWITCH	1
4	SL02251	GEARMOTOR	2
5	SL11002	TANG / TONGUE	2
6	SL04167	SCREW	2
7	SL07390	BUSHING	2
8	SL08040	WHEEL	2
9	SL07297	SPACER	2
10	SL39081	HEAD	1
11	SL06041	WASHER	3
12	SL05039	NUT	3
13	SL06093	WASHER	14
14	SL04180	SCREW	14
15	SL04079	SCREW	3
16	SL04402	SCREW	2
17	SL06031	WASHER	4
18	SL04278	SCREW	4
20	SL13136	SPRING	2
21	SL01042	FLANGE	2
22	SL04020	SCREW	2
23	SL06081	WASHER	2

Next page →



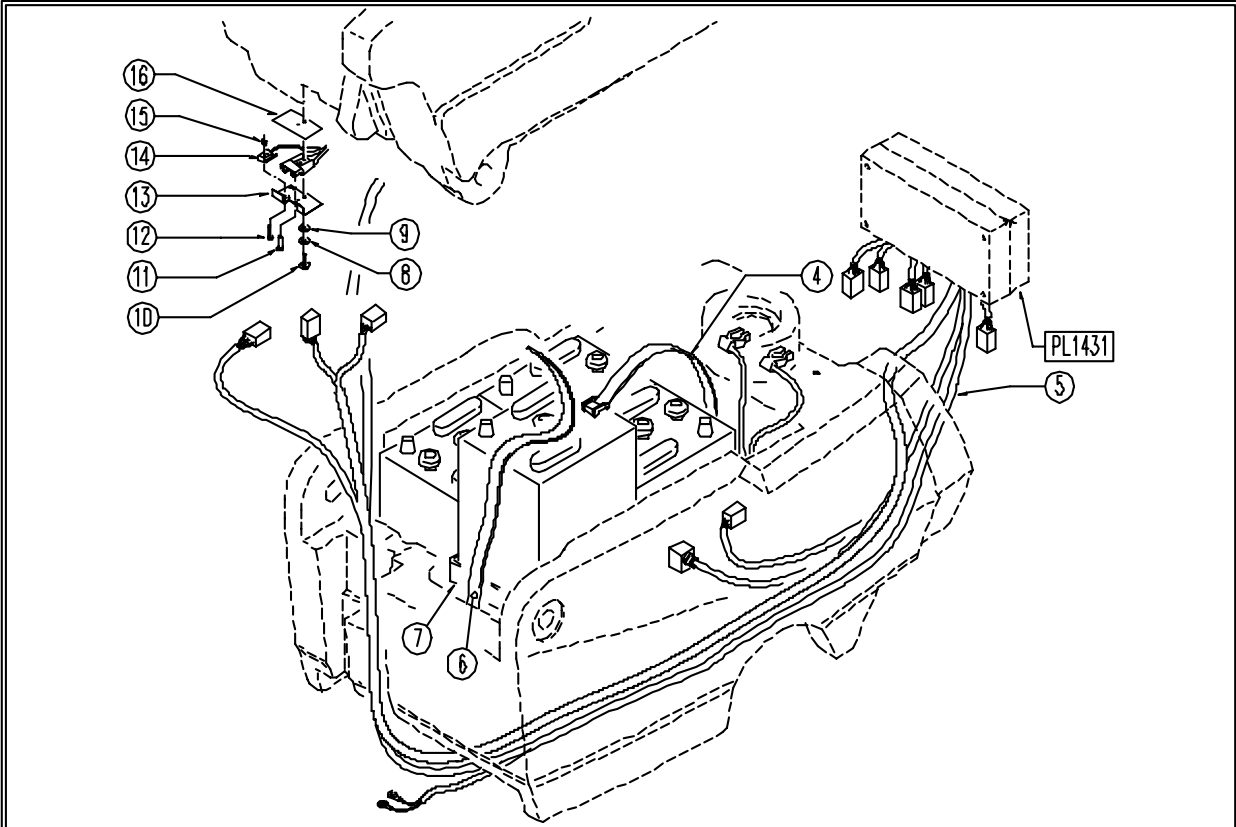
← Back 1 page

PANTHER 32 CODE: pl1426 af SN from 02C87			
REF.	CODE	DESCRIPTION	QTY
24	SL39113	DISTRIBUTOR	1
26	SL04061	SCREW	1
27	SL04389	SCREW	1
28	SL07133	SPACER	2
29	SL05013	NUT	1
30	SL06005	WASHER	1
31	SL39124	BRACKET	1
32	SL05041	NUT	8
33	SL06022	WASHER	4
34	SL08058	SMALL WHEEL	1
35	SL07526	SPACER	1
36	SL04395	SCREW	6
37	SL03562	FLAP	2
38	SL18243	UNION / CONNECTOR	1
39	SL04324	SCREW	3
40	SL06039	WASHER	3
41	SL03570	FLAP PRESS	2
42	SL03550	GASKET	1
43	SL05029	NUT	6
44	SL39138	PLAQUE	1
45	SL06107	WASHER	2
46	SL53008-1	WIRING	1



← Back 1 page

PANTHER 32 CODE: pl1432 ac SN from 01G200

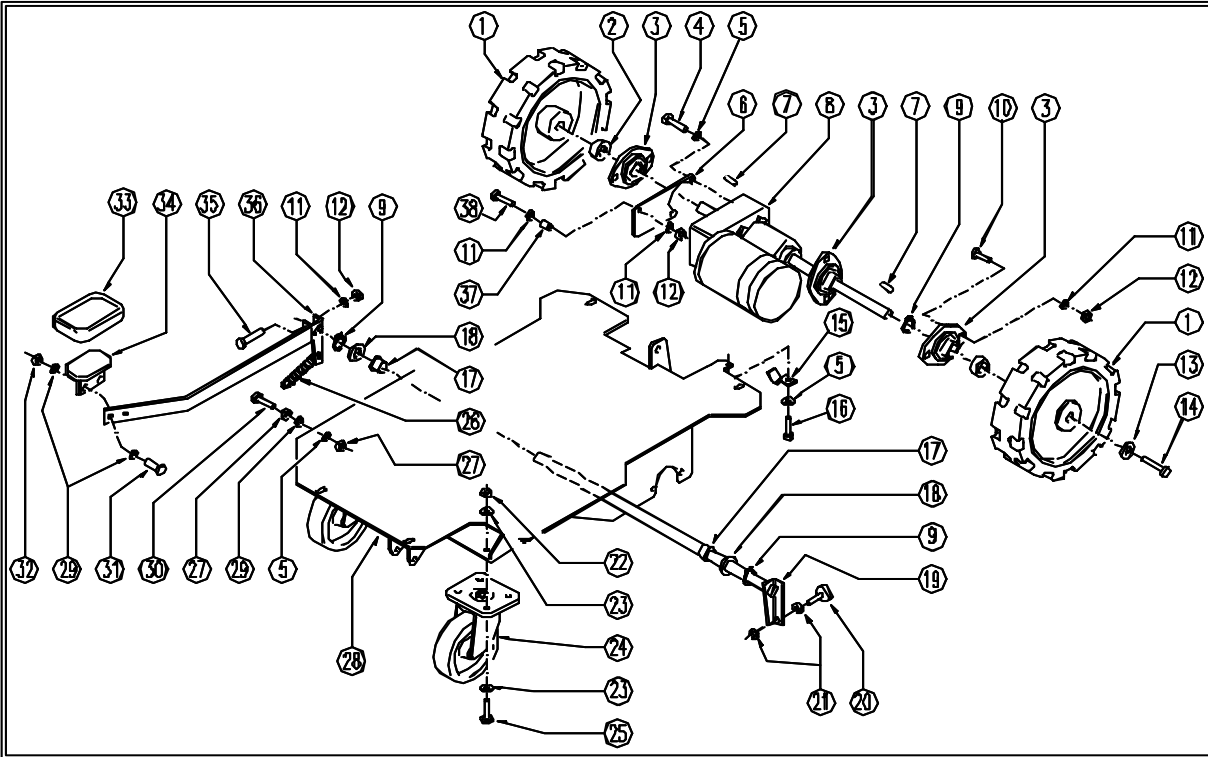


REF.	CODE	DESCRIPTION	QTY
4	SL14356	BELT	2
5	GR23716	WIRING	1
6	SL14357	BELT	2
7	SL17607	BATTERY PLATE	4
8	SL06033	WASHER	2
9	SL06032	WASHER	2
10	SL04320	SCREW	2
11	SL04393	SCREW	1
12	SL04086	SCREW	2
13	SL39122	SUPPORT	1
14	SL53031-L	MICROSWITCH	1
15	SL05031	NUT	2
16	SL03572	GUARD	1



Back 1 page

PANTHER 32 CODE: pl1424 aa SN from 01B100



PANTHER 32 CODE: pl1424 aa SN from 01B100

REF.	CODE	DESCRIPTION	QTY
1	SL08054	WHEEL	2
2	SL12031-1	SPACER	2
3	SL12031	BEARING	3
4	SL04135	SCREW	2
5	SL06093	WASHER	4
6	SL39085	PLATE	1
7	SL11105	TANG / TONGUE	2
8	SL02250	MOTOR	1
9	SL11094	RING	3
10	SL04355	SCREW	6
11	SL06041	WASHER	9
12	SL05039	NUT	7
13	SL06069	WASHER	2
14	SL04269	SCREW	2
15	SL14353	CLIP	1
16	SL04180	SCREW	1
17	SL12035	BEARING	2
18	SL06079	WASHER	2
19	SL39075	BRAKE AXLE	1
20	SL20059	PLUG / STOPPER	2
21	SL05048	NUT	4
22	SL05032	NUT	8

Next page



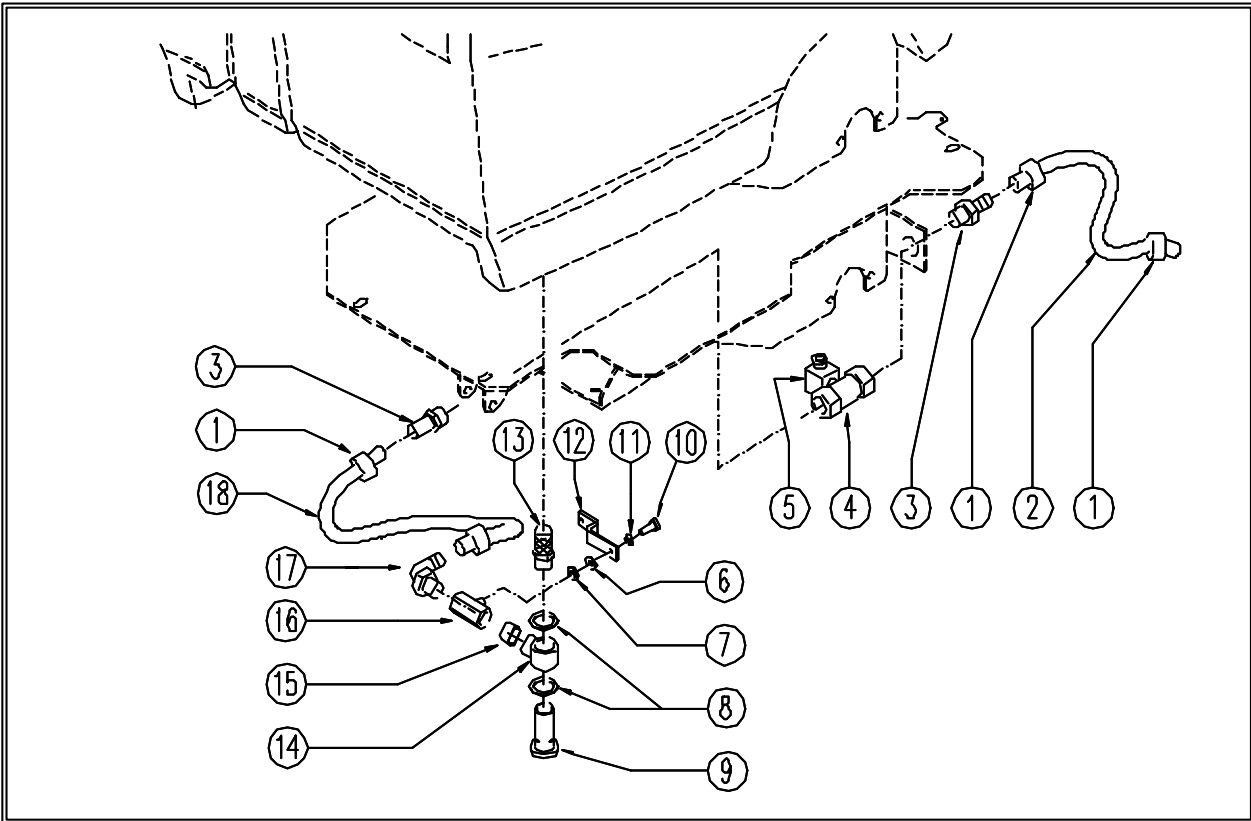
← Back 1 page

PANTHER 32 CODE: pl1424 aa SN from 01B100			
REF.	CODE	DESCRIPTION	QTY
23	SL06011	WASHER	16
24	SL08007	SMALL WHEEL	2
25	SL04132	SCREW	8
26	SL13011	SPRING	1
27	SL05017	NUT	2
28	SL39065	FRAME	1
29	SL06022	WASHER	5
30	SL04144	SCREW	1
31	SL04002	SCREW	2
32	SL05074	NUT	2
33	SL20013	RUBBER SHIM	1
34	SL09133	PEDAL	1
35	SL04164	SCREW	1
36	SL39077	LEVER	1
37	SL07387	SPACER	1
38	SL04075	SCREW	1



← Back 1 page

PANTHER 32 CODE: pl1427 aa SN from 01B100



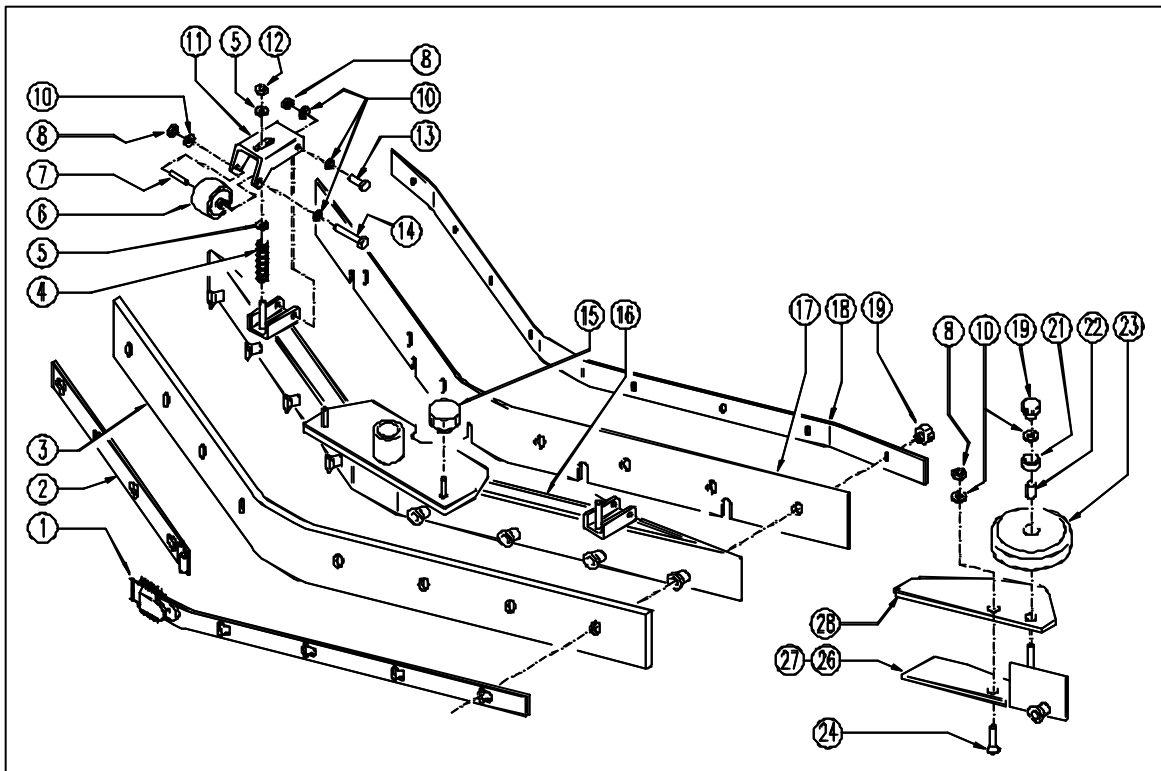
PANTHER 32 CODE: pl1427 aa SN from 01B100

REF.	CODE	DESCRIPTION	QTY
1	SL14036	CLAMP	4
2	SL19334	HOSE	1
3	SL18398	UNION / CONNECTOR	2
4	SL18394	ELECTROVALVE	1
5	SL23212	CONNECTOR	1
6	SL06083	WASHER	1
7	SL06041	WASHER	1
8	SL03536	WASHER	2
9	SL18257-L	SCREW	1
10	SL04341	SCREW	1
11	SL06031	WASHER	1
12	SL39003	LEVER	1
13	SL18405	FILTER	1
14	SL18256	UNION / CONNECTOR	1
15	SL07209K	SPACER	1
16	SL18380	TAP	1
17	SL18403	UNION / CONNECTOR	1
18	SL19287	HOSE	1



Back 1 page

PANTHER 32 CODE: pl1452 ab SN from 01E600



PANTHER 32 CODE: pl1452 ab SN from 01E600

REF	CODE	DESCRIPTION	QTY
	GR39027-85A	SQUEEGEE UNIT	
1	SL39141	BLADE HOLDER	1
2	SL39142	BLADE HOLDER	1
3	SL03563	BLADE	1
4	SL13103	SPRING	2
5	SL06041	WASHER	4
6	SL08058	WHEEL	2
7	SL07526	SPACER	2
8	SL05074	NUT	8
10	SL06022	WASHER	16
11	SL39033	SUPPORT	2
12	SL05039	NUT	2
13	SL04135	SCREW	4
14	SL04061	SCREW	2
15	SL20060	HANDLE	2
16	SL39136	BODY	1
17	SL03564	BLADE	1
18	SL39144	BLADE HOLDER	1
19	SL20058	HANDLE	10
21	SL17608	BUSHING/BUSH	2

Next page

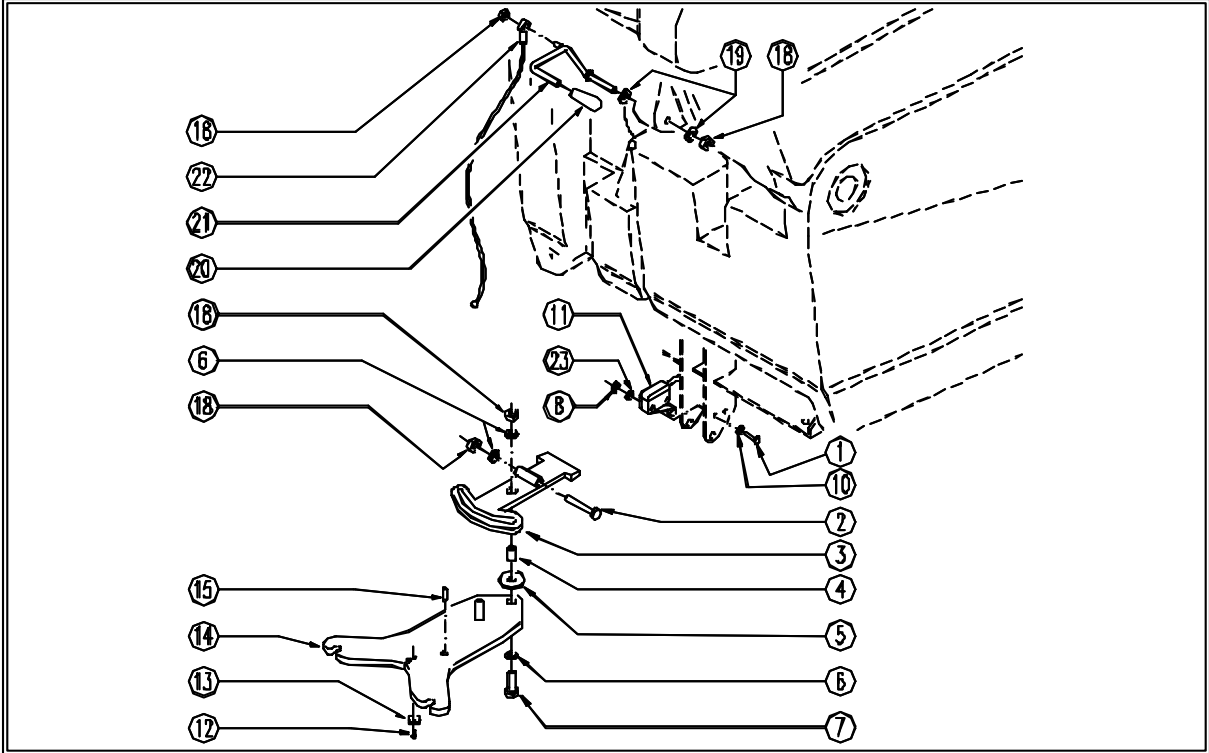


← Back 1 page

PANTHER 32 CODE: pl1452 ab SN from 01E600			
REF	CODE	DESCRIPTION	QTY
22	SL07065	SPACER	2
23	SL08040	WHEEL	2
24	SL04098	SCREW	2
26	SL39140	LEFT EXTENSION	1
27	SL39139	RIGHT EXTENSION	1
28	SL39143	SUPPORT	2



PANTHER 32 CODE: pl1430 ab SN from 01D113



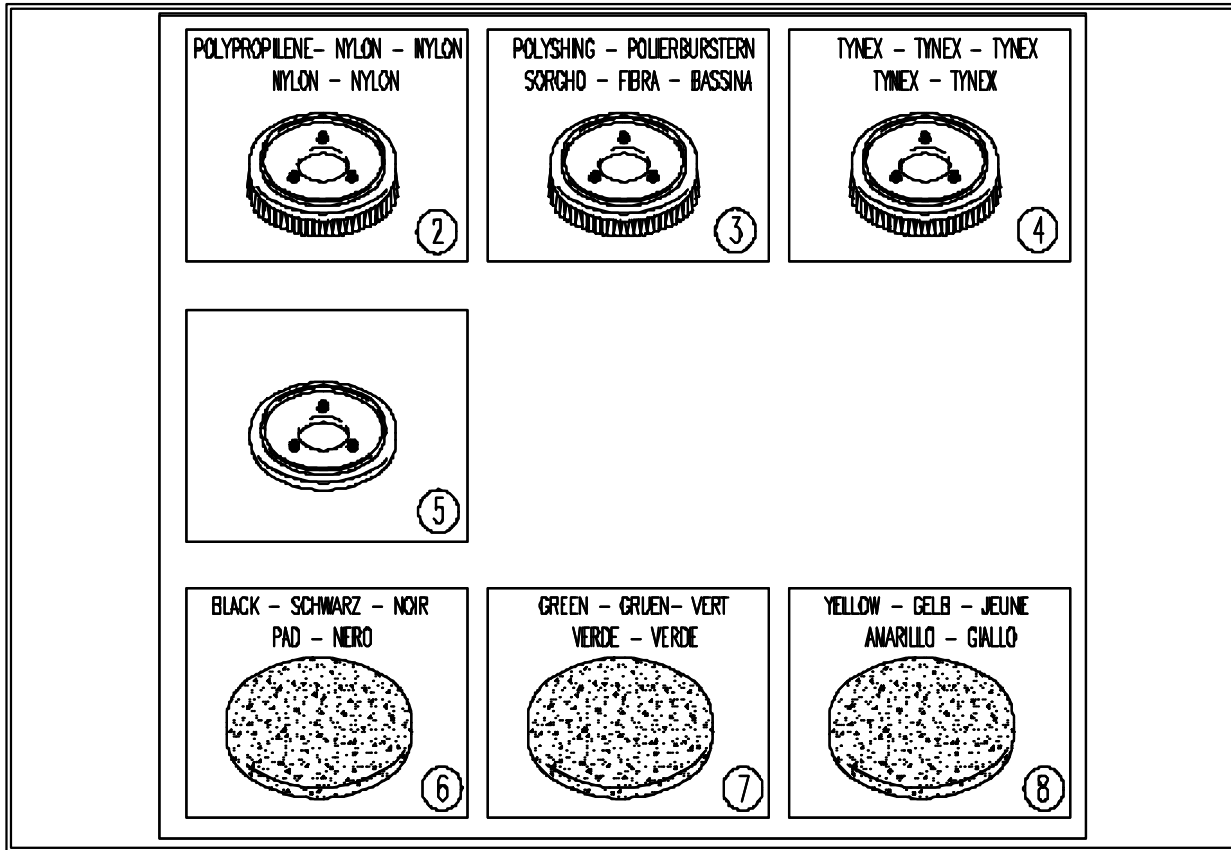
PANTHER 32 CODE: pl1430 ab SN from 01D113

REF.	CODE	DESCRIPTION	QTY
1	SL04197	SCREW	2
2	SL04229	SCREW	1
3	SL39071	ARM	1
4	SL07427	BUSHING / BUSH	1
5	SL06062	WASHER	1
6	SL06041	WASHER	3
7	SL04127	SCREW	1
8	SL05078	NUT	2
10	SL06019	WASHER	2
11	SL23200	MICROSWITCH	1
12	SL04079	SCREW	1
13	SL06084	WASHER	1
14	SL39099	BRACKET	1
15	SL11126	SCREW	1
18	SL05039	NUT	3
19	SL06025	WASHER	2
20	SL20007	KNOB (o HANDWHEEL)	1
21	SL39036	LEVER	1
22	SL14248	CABLE	1
23	SL06107	WASHER	2



Back 1 page

PANTHER 32 CODE: pl1435 aa SN from 01B100



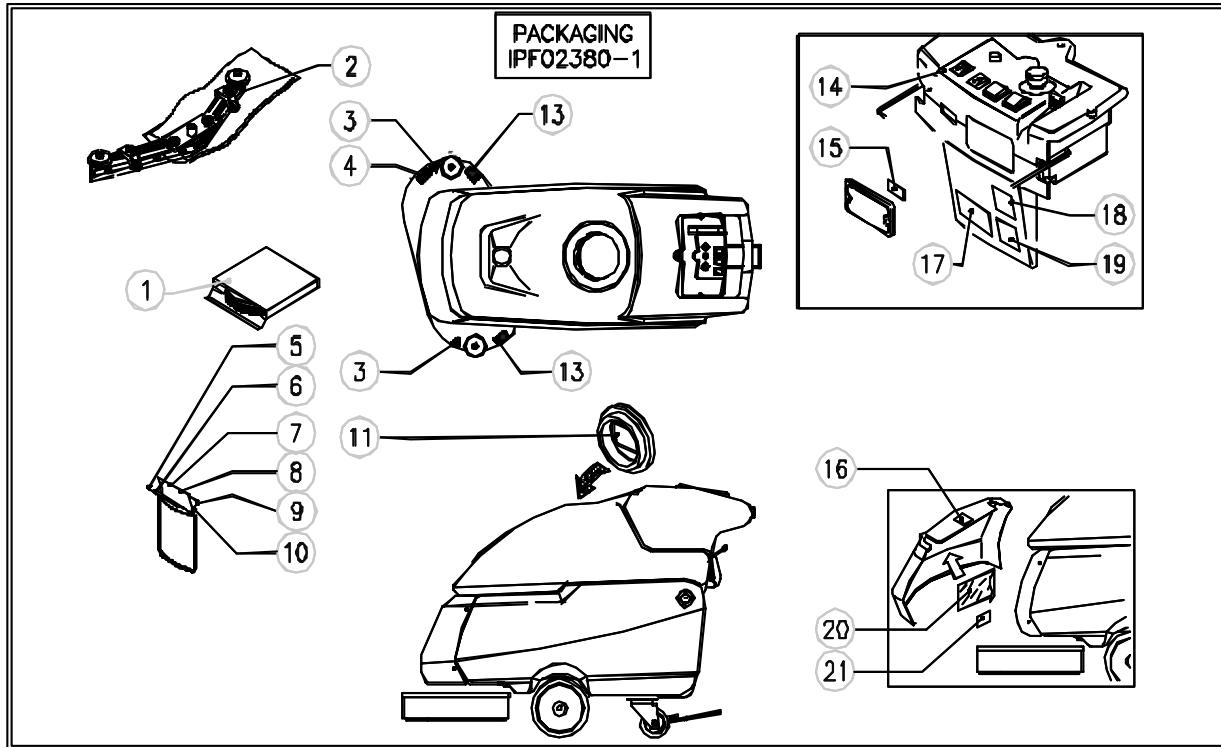
PANTHER 32 CODE: pl1435 aa SN from 01B100

REF.	CODE	DESCRIPTION	QTY
2	AL03801	POLYPROPYLENE BRUSH	
3	AL03804	POLYSHING BRUSH	
4	AL03803	TYNEX BRUSHES	
5	AL03802	PAD DRIVER	
6	AL02262	STRIPPING PAD(BLACK)	
7	AL02261	STRIPPING PAD(GREEN)	
8	AL02260	STRIPPING PAD(YELLOW)	



← Back 1 page

PANTHER 32 CODE: EPF02381N-1 ad SN from 01K374



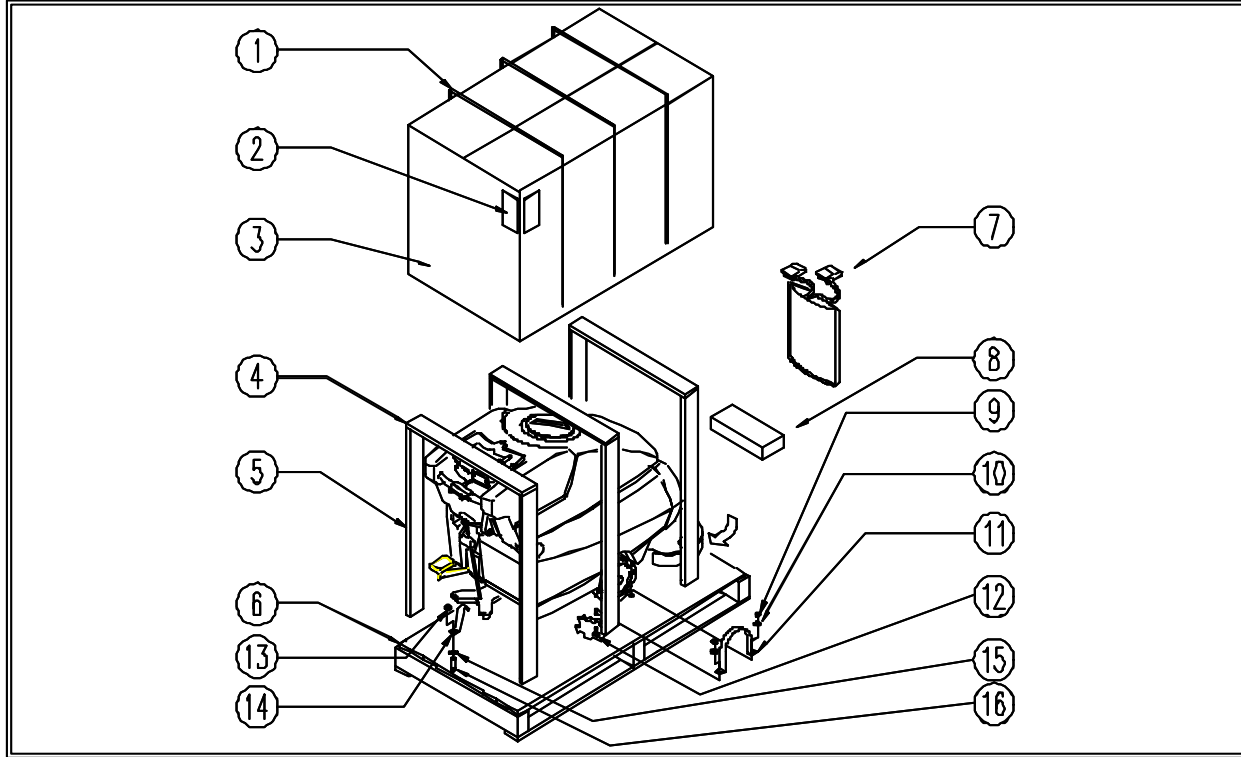
PANTHER 32 CODE: EPF02381N-1 ad SN from 01K374

REF.	CODE	DESCRIPTION	QTY
1	AL03801	BRUSH	2
2	GR39027-85A	SQUEEGEE	1
3	SL25364	LABEL	2
4	SL25366	LABEL	1
5	SL25968N-1	OPERATOR'S MANUAL	1
6	SL25984N	SPARE PARTS	1
7	SL25401-2	LABEL - DOCUMENT	1
8	SL25401-3	LABEL - DOCUMENT	1
9	SL25401-8	LABEL - DOCUMENT	1
10	SL25303	DOCUMENT	1
11	SL25056	LABEL	1
13	SL25369	LABEL	2
14	SL25887	LABEL	1
15	SL25994	LABEL	1
16	SL25187	LABEL	1
17	SL25401-6	LABEL - DOCUMENT	1
18	SL25177	LABEL	1
19	SL25053	LABEL	1
20	GR27195	ELEC. DIAGRAM ENVELOPE	1
21	SL25995	LABEL	1



← Back 1 page

PANTHER 32 CODE: IPF02380-1 ac SN from 02C80

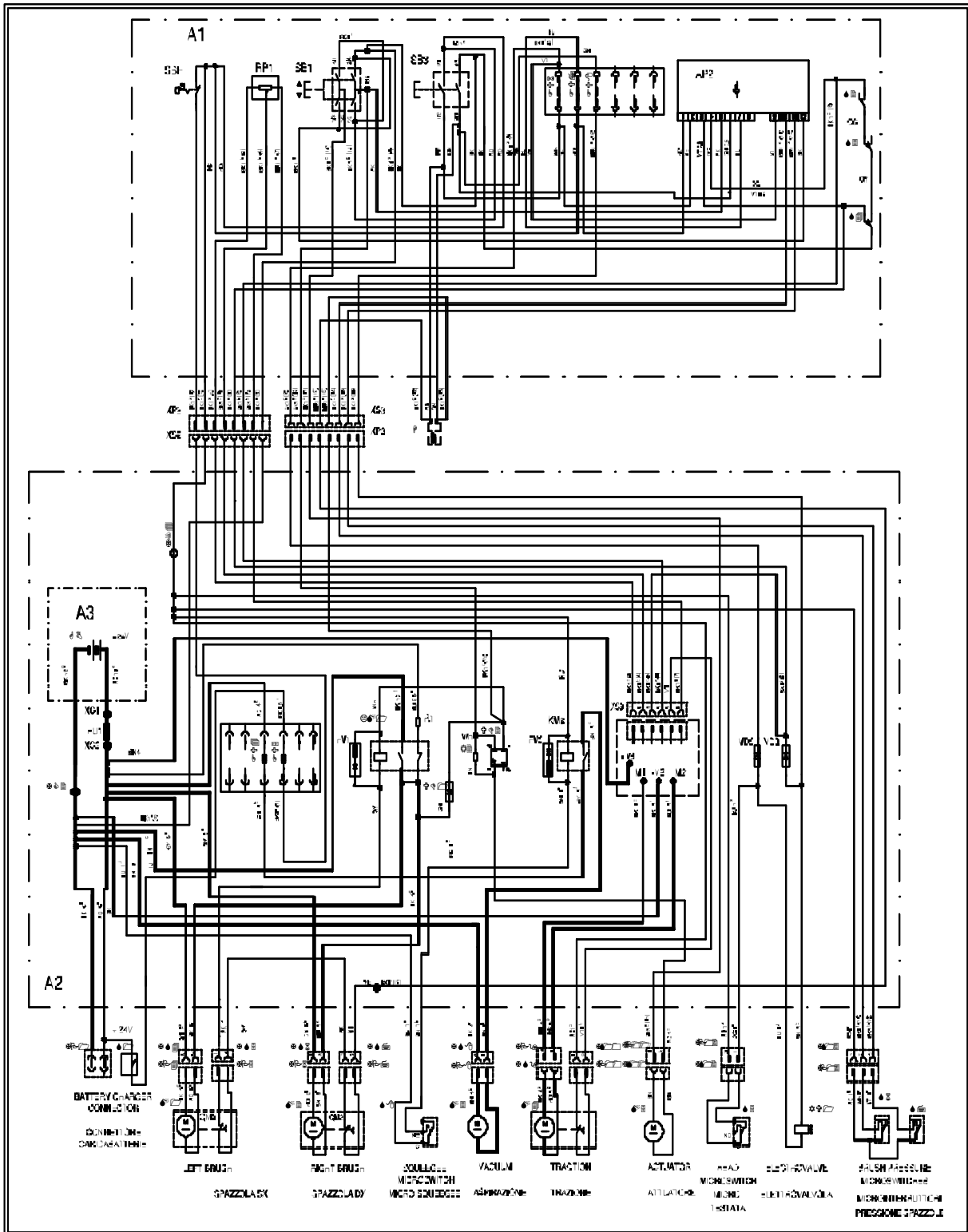


PANTHER 32 CODE: IPF02380-1 ac SN from 02C80

REF.	CODE	DESCRIPTION	QTY
1	MP14300	STRAP	3
2	SL25401-1	LABEL	2
3	SL26089N	CARDBOARD	1
4	SL26107	LATH / SPLINE	3
5	SL26122	LATH / SPLINE	6
6	SL26106	PALLET	1
7	SL23838	BRIDGE / JUMPER	3
8	SL26137	LATH / SPLINE	1
9	SL05001	NUT	4
10	SL06087	WASHER	4
11	SL39120	BRACKET	2
12	SL04001	SCREW	4
13	SL05039	NUT	1
14	SL39198	BRACKET	1
15	SL06086	WASHER	1
16	SL04200	SCREW	1



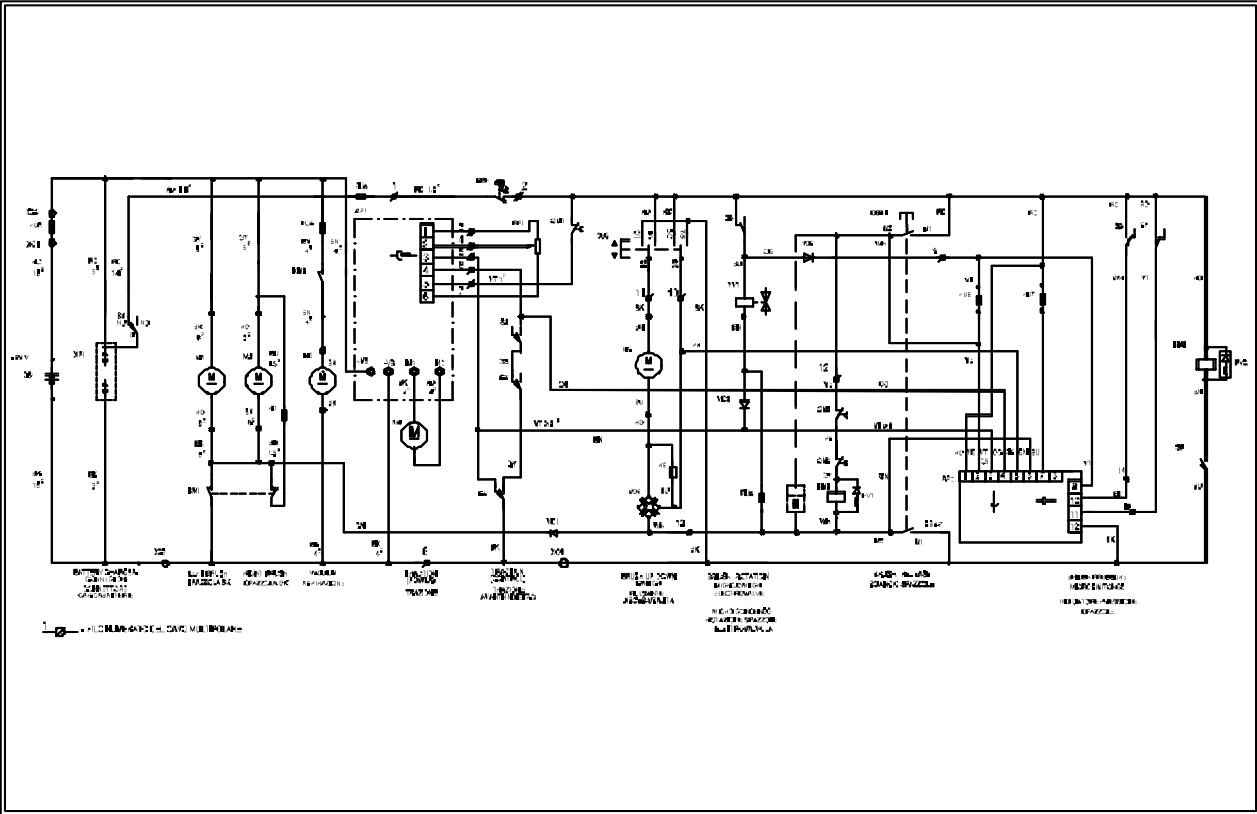
PANTHER 32 CODE: wd27195 ac SN from 02C80





← Back 1 page

PANTHER 32 CODE: wd27195-1 ad SN from 02C80



PANTHER 32 CODE: wd27195-1 ad SN from 02C80

REF.	CODE	DESCRIPTION
AP1	SL23729	GEARCASE / BOARD
AP2	SL23738	GEARCASE / BOARD
FU1	SL23740	FUSE
FU4	SL23148	FUSE
FU5	SL23650	FUSE
FV1	SL23758-1	DIODE
FV2	SL23758-1	DIODE
GB		BATTERY
H	SL23984J	HOUR METER (OPTIONAL)
HL1	SL23031	INDICATOR
KM1	SL23735	REMOTE CONTROL SWITCH
KM3	SL23001	RELAY
M1	SL02251	MOTOR
M2	SL02251	MOTOR
M3	SL02303-J	MOTOR
M4	SL02250	MOTOR
M5	SL02204	MOTOR
QM1		THERMAL PROTECTION
QM2		THERMAL PROTECTION
QM3		THERMAL PROTECTION
R1	SL23397	RESISTANCE

Next page →



← Back 1 page

PANTHER 32 CODE: wd27195-1 ad SN from 02C80		
REF.	CODE	DESCRIPTION
R2	SL23957	RESISTANCE
RP1	SL23872	POTENTIOMETER
S1	SL23599-L	MICROSWITCH
S2	SL23109	MICROSWITCH
S3	SL23109	MICROSWITCH
S4	SL23109	MICROSWITCH
S5	SL23200	MICROSWITCH
S6	SL23599	MICROSWITCH
S7	SL23599	MICROSWITCH
S8	SL23200	MICROSWITCH
SB2	SL23649	PUSH-BUTTON
SB3	SL23708	PUSH-BUTTON
SBF		PUSH-BUTTON
VD1	SL23289	DIODE
VD2	SL23081	BRIDGE / JUMPER
VD3	SL23289	DIODE
XC1	SL23103	INSULATOR
XC2	SL23103	INSULATOR
XC3	SL23103	INSULATOR
XP1	SL23010K	CONNECTOR
XC4	SL23414	CLAMP