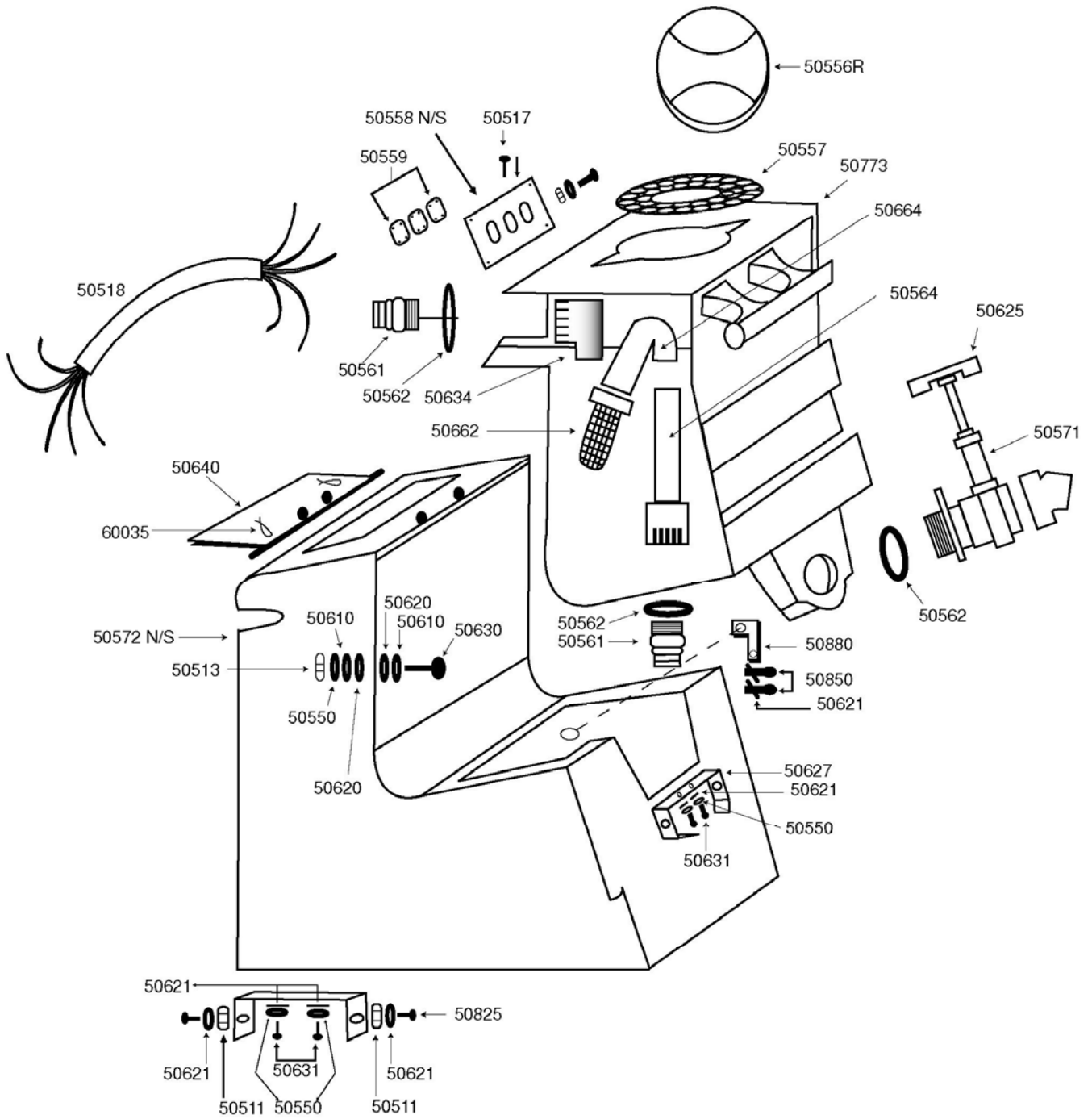


# PR375/250/100 Upper Cabinet Assembly

January 2001



# PR375 / 250 / 100 Upper Cabinet Assembly Parts List

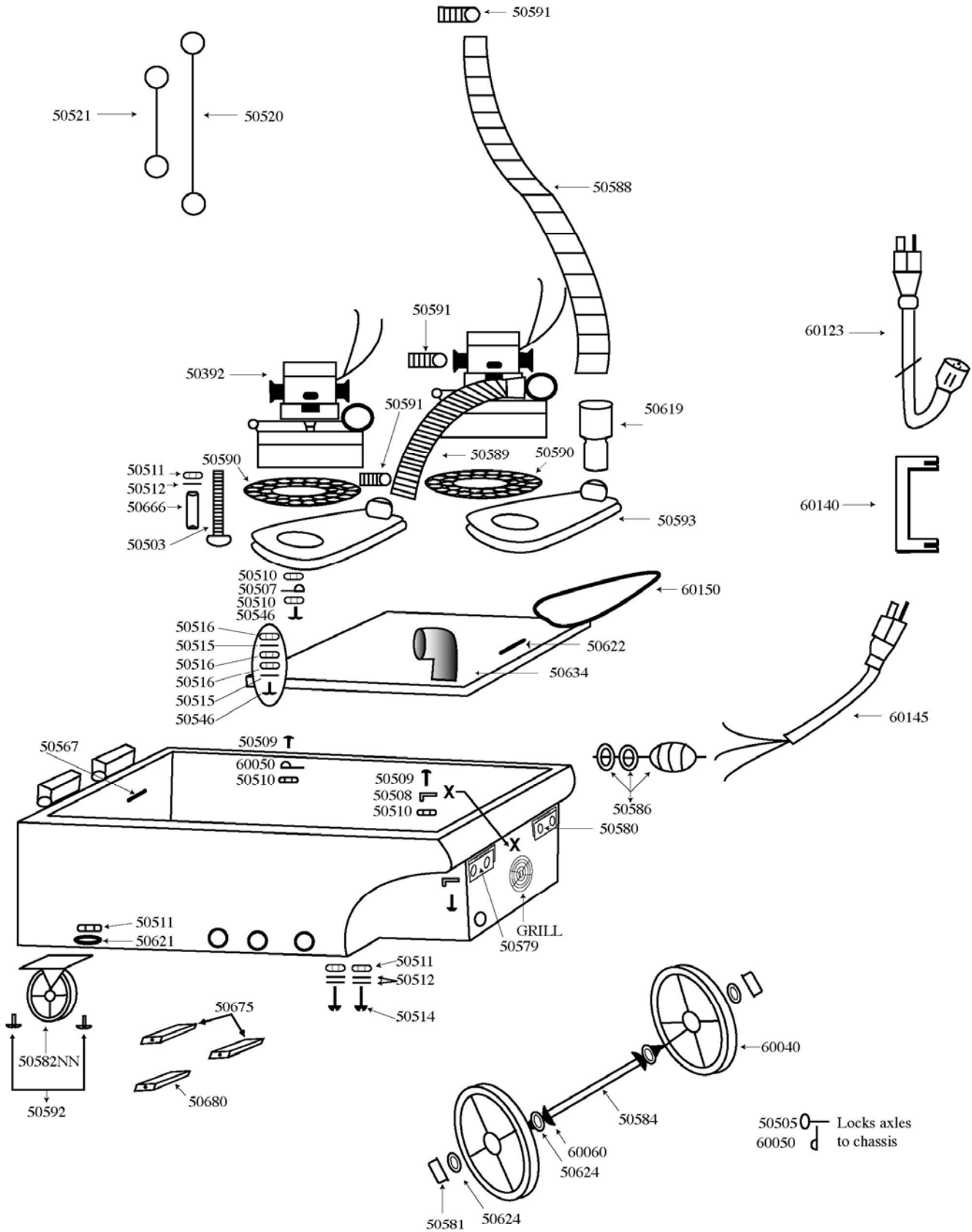
January 2001

Item	Description	Qty Req.
50511	Lock Nut, 1/4 - 20 Hex Nylock	2
50513	Nut, Hex 1/4-20	2
50517	Screw, Grnd - 8 -32 X 1/2" SHCS	1
50518	Electrical Harness Assembly	1
50550	Lock Washer, 1/4" PLTD	6
50556R	Lid Round, Rec Tank PR100/250	1
50557	Gasket, Rec. Tank PR100/250	1
50558	N/S Switch Panel	1
50559	Switch, Vac & Pump	3
50561	Inlet, Vac Intake PR50/250	2
50562	Gasket, Inlet PR50/250	3
50564	Vacuum Stack PR100/250	1
50571	Drain Valve	1
50572	N/S Tank, Solution PR100/250	1
50610	Washer, 1/2" Flat SS 18-8	4
50620	Washer, Nylon 1 X 1/2"	4
50621	Washer, Flat 1/4 PLTD. SAE	10
50625	"t" Handle Drain Valve	1
50627	Bracket, Hinge PR100/250	1
50630	Bolt, 1/4" - 20 x 2" HHCS	2
50631	Bolt, 1/4" - 20 X 1/2" HHCS	4
50634	Elbow Deflector N/S PR50/250	1
50640	Lid, Solution Tank PR100/250	1
50662	Float Cage w/ball N/S PR100/250	1
50664	Elbow, Float Cage N/S PR100/250	1
50773	Tank, Recovery N/S PR100/250	1
50825	BOLT 1/2 20 X 1-3/4	2
50850	Screw, 10-32 X 5/8" RHMS TV5	4
50875	Bracket, Front	1
50880	Mounting Bracket, Recovery Tank	2
60035	Ties, Solution Lid Black 8"	2
50660	Float Assy w/ elbow PR100/250 - Includes 50662 & 50664	



# PR375/250/100 Lower Cabinet Assembly

January 2001



# PR375 / 250 / 100 Lower Cabinet Assembly

## Parts List

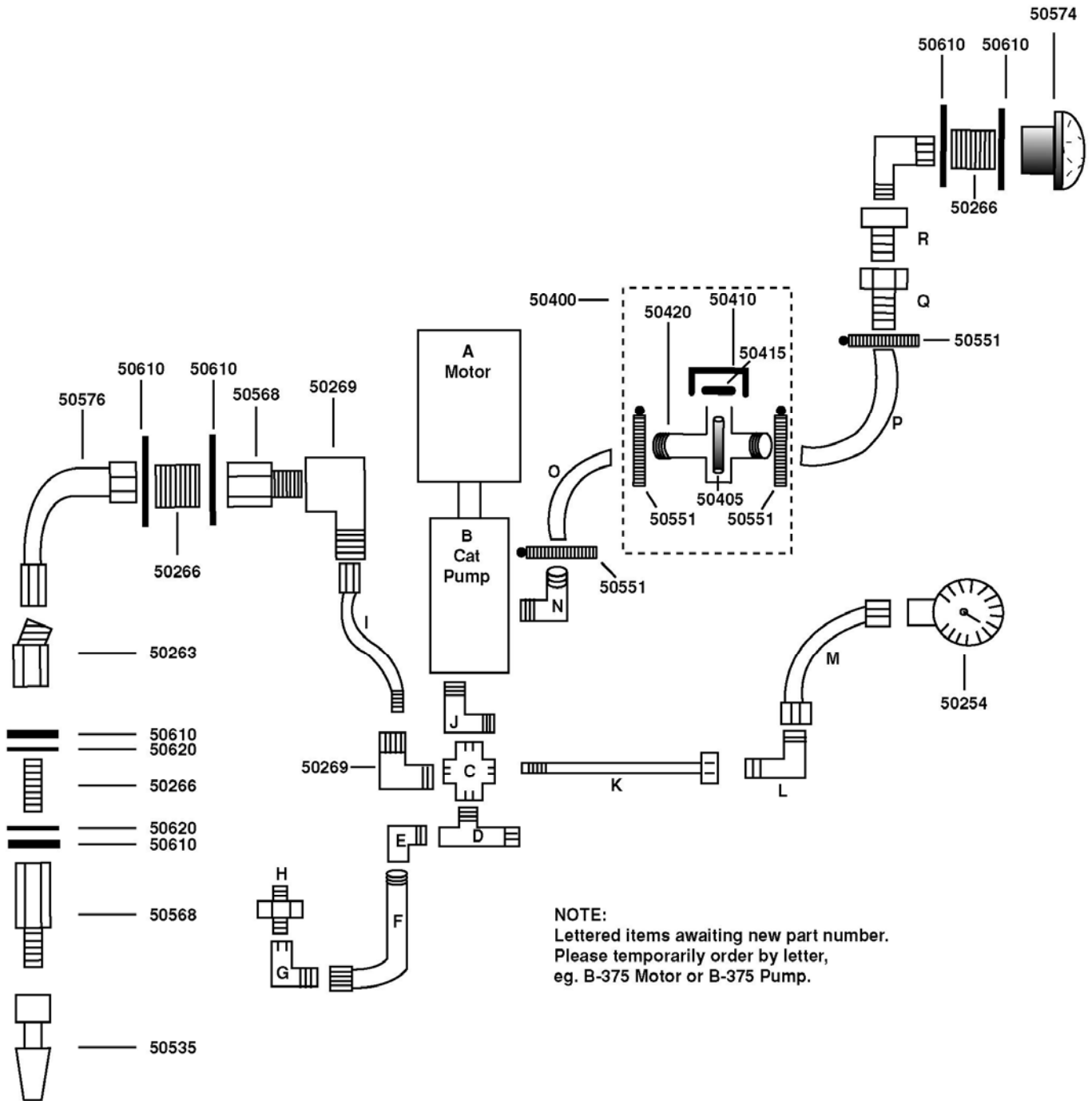
January 2001

Item	Description	Qty Req.	Item	Description	Qty Req.
50392	Vac Motor - 2 Stg w/ Horn Std.	2	50675	Breaker, 10 AMP	2
50503	Bolt, 1/4" - 20 X 4 1/2" HHCS	6	50680	Break, Pump, 3 AMP	1
50505	Screw, #8 X 1 1/2" PS SMS PLTD	1	60040	Wheel, 10" Rear PR100/250	2
50507	Clamp, 3/8" Small	3	60050	Clamp, 1/2" Large	2
50508	Clamp, 7/16" Large	1	60060	Washer, Wheel Tension PR100/250	2
50509	Screw 8/32 X 3/4" FBMS	2	60123	50' Cord Set 12/3 (15M)	1
50510	Lock Nut, 8-32 Nylock	4	60140	Boot, Cord Protector PR100/250	1
50511	Lock Nut, 1/4-20 Hex Nylock	16	60145	Pigtail, Short Cable PR100/250	1
50512	Washer, Flat 1/4 PLTD USS	10	60150	Gasket, Bottom Manifold	2
50514	Bolt, 1/4 - 20 X 1"	2			
50515	Lock Washer, #8 Int. Tooth	2			
50516	Nut, Hex PLTD	3			
50520	Wire 11" Grn. c/w Conn.	1			
50521	Wire 7" Grn. c/w Conn.	1			
50546	Screw, 8-32 X 3/4" RHMS	2			
50567	Chassis, Only PR100/250	1			
50579	Hinge Assembly, Left	1			
50580	Hinge Assembly, Right	1			
50581	Hub Cap	2			
50582NN	Caster, 4" NN/S	2			
50584	Axle, Rear	1			
50586	Strain Relief	1			
50588	Hose, Suction 20"	1			
50589	Hose, Junction	1			
50590	Gasket, Upper Manifold	2			
50591	Clamp, Hose	3			
50592	Bolt, 1/4 - 20 X 3/4"	8			
50593	Manifold, Vac Motor	2			
50619	End Cuff, 1-1/2"	1			
50621	Washer, Flat 1/4 PLTD SAE	8			
50622	Mounting Plate	1			
50624	Washer, Flat 1/4 PLTD SAE	4			
50666	Stand Off, Vac Motors	1			



# PR375 Pump Unit

July 2001



# PR375 Pump Unit Parts List

July 2001

Item	Description
50263	Elbow (45) 1/4 MNPT X 1/4 FNPT
50266	Close Nipple 1/4" X 1"
50269	Elbow, 1/4 MNPT X 1/4 FNP
50400	Strainer Assembly, inline PR100/375
50405	Screen Strainer PR100/375/700
50410	Clear Cover
50415	O Ring
50420	Casing, Strainer PR100/375
50535	BH2 Female Quick Disconnect
50551	Clamp, Hose 7/16 Wide
50568	Adapter 1/4 MNPT x 1/4 FNPT
50574	Strainer Sol Dome Style
50576	Hose, 17" H.P. Assembly
50610	Washer, 1/2" Flat SS 18-8
50620	Washer, Nylon 1" X 1-1/2"

