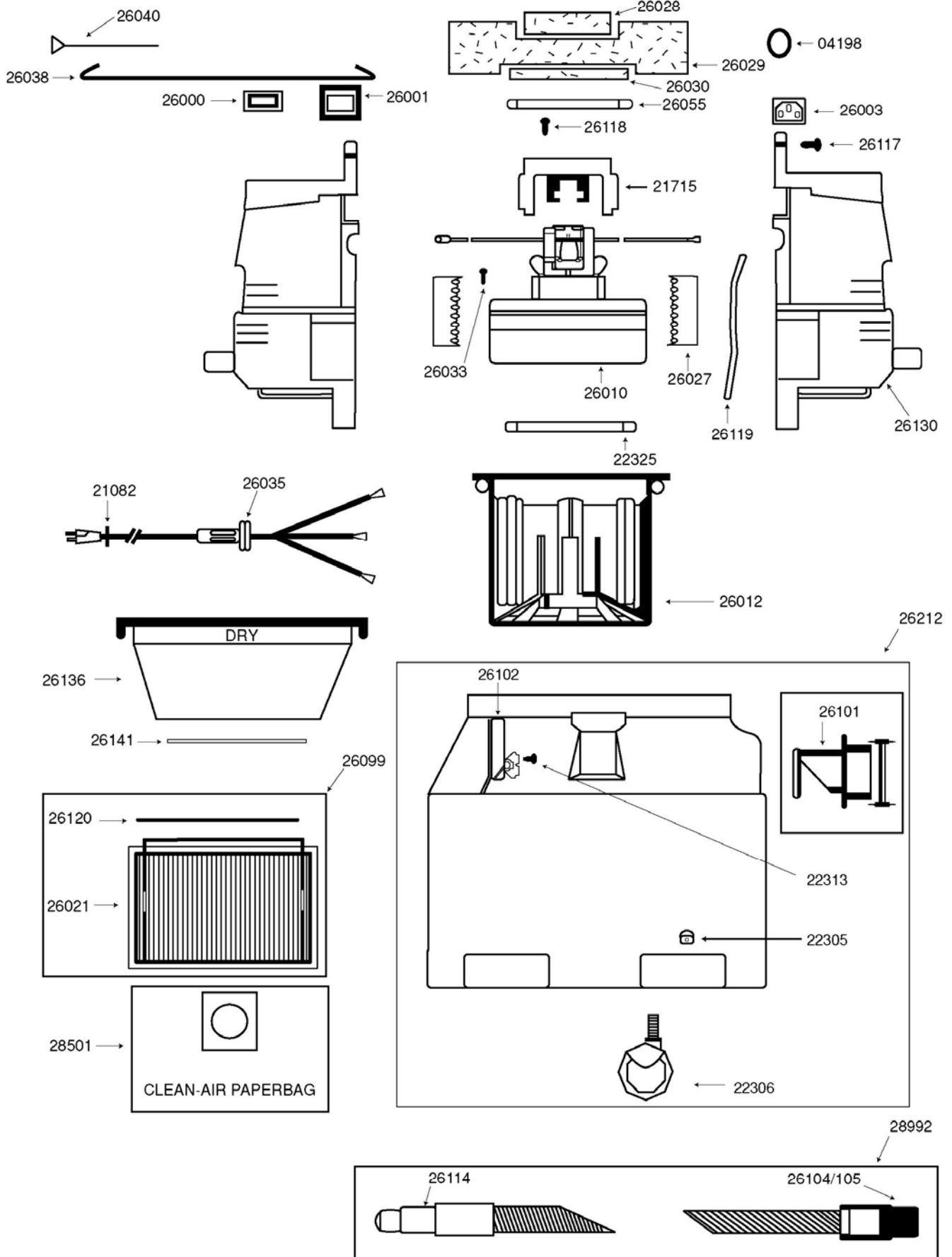


M80 PROCARE

November 2001





M80 Procure

Item	Description	Qty Req.
21082	Cord Grip	1
21715	Motor Fan Cover	1
22305	Acorn Nut	5
22306	Caster Swivel Stem	5
22313	Screw #10 x 3/8 Long	4
22325	Universal Motor Gasket	1
26000	Rocker Switch	1
26001	Switch Plate	1
26005	Power Outlet Plug	1
26010	Vac Motor Sm. Air Cooled	1
26012	Filter Cage Small	1
26027	Lower Acoustic Foam	8
26028	Top Acoustic Foam	2
26029	Side Acoustic Foam	2
26030	Upper Acoustic Foam	2
26033	Screw, PHS Type F, M50/60/80	1
26035	Cord Assembly	1
26038	Black Wire Assembly	1
26040	Ground Wire Assembly	1
04198	Dome Plug	1
26021	Filter Hepa Small (OPTIONAL)	1
26055	Upper Motor Gasket	1
26099	Filter / Clamp - Assembly (OPTIONAL)	1
26101	Inlet Deflector	1
26102	Tank Clamp	2
26104	Hose Coupling	1
26114	1-1/2" - 1-1/4" Hose Cuff	1
26117	Screw #8 X 3/4 Long	12
26118	Ground Screw #10 x 3/8 Long	2
26119	Vacuum Gauge Hose	1
26120	Clamp Hepa Filter (OPTIONAL)	1
26130	Motor Housing Maroon	2
26136	Filter Norcim Small	1
26141	Jogger Ring	1
26148	Decal 'CAUTION'	1
26149	Decal 'DRY PICKUP'	1
26150	Decal 'MICHAEL'S' Small	1
26151	Decal 'MICHAEL'S' Large	1
26152	Decal 'PROCARE M80'	1
26212	Tank Complete	1
28501	Filter Paper Bag - 10 pkg. (OPTIONAL)	1
28992	Hose Assembly 8' X 1-1/2" - 1-1/4" Cuff	1



P.O. Box 72 - 105 Scott Ave
Paris, ON N3L 3E5
Toll Free: 800-263-3731 Fax: 800-489-7280

November 2001

