

**Battery Burnisher
Multi-Flex® Pad Driver
PAMS® Dust
Control Option**

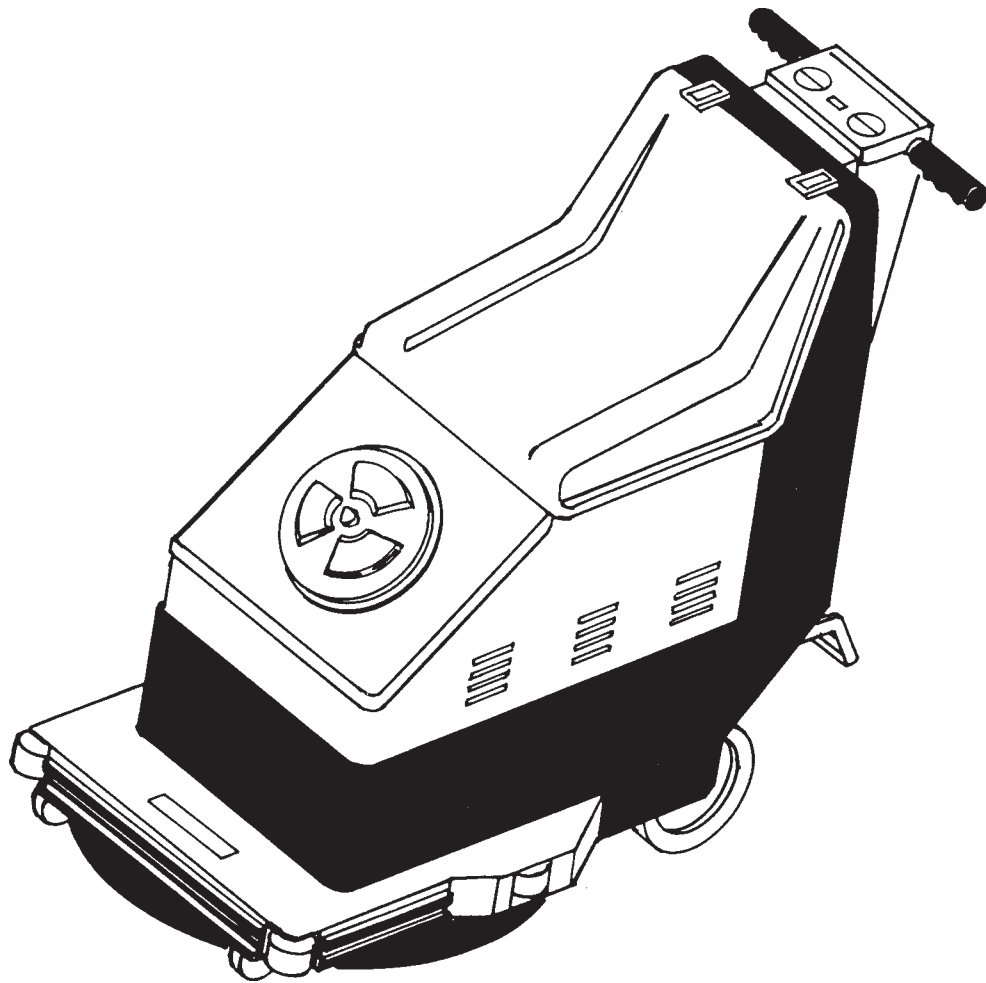
**Model:
M26000-00, 01**

OPERATION

SERVICE

PARTS

CARE



Revised 10/93

Minuteman®

CONTENTS

ILLUSTRATIONS, SPARE PARTS, OPERATION & SERVICE

| | |
|-------------------------------------|-------|
| PRECAUTIONS..... | 1 |
| OPERATION..... | 2 |
| INSPECTION..... | 2 |
| PAD INSTALLATION & ADJUSTMENTS..... | 3 |
| BATTERIES..... | 4 |
| MAINTENANCE..... | 4-5 |
| MAIN FRAME ASSEMBLY..... | 6-7 |
| DRIVE UNIT ASSEMBLY..... | 8-9 |
| HANDLE ASSEMBLY..... | 10-11 |
| ELECTRICAL ASSEMBLY..... | 12-13 |
| WARRANTY POLICY..... | 14 |

IMPORTANT SAFETY INSTRUCTIONS

CAUTION:

Operators must read and understand this manual before operating or maintaining this equipment.

- Keep hands and feet clear of moving parts while machine is in operation.
- Master switch must be in the **OFF** position when charging batteries or during installation or removal of pads.
- During operation loose objects on the floor can become dangerous projectiles if struck by high speed pad. Special attention should be paid in removing or avoiding loose floor tile, electrical cables, telephone connection boxes.
- Electrical motors and components can cause an explosion when operated near explosive materials or vapors. Do not operate this machine near flammable materials such as solvents, thinners, fuels, grain dusts, etc.
- Keep machine moving to reduce the risk of damaging floor finish and floor.
- Make sure master switch is turned "**OFF**" and battery connector is unplugged from machine before performing any maintenance procedures.
- Store or park this machine on a level surface only.
- These machines are designed for level floor operation only. **DO NOT OPERATE on ramps or inclines.**
- Battery acid can cause burns. When working on or around batteries, wear protective clothing and safety glasses. Remove metal jewelry. Do not lay tools or metal objects on top of batteries.

Charging batteries generates explosive gases. **DO NOT CHARGE BATTERIES WHEN OPEN FLAMES OR SPARKS ARE PRESENT. DO NOT SMOKE.** Make sure the charger is turned off before disconnecting it from the batteries. Charge the batteries in a well-ventilated area with the battery cover removed completely.

Maintenance and repairs must be performed by authorized personnel.

SAVE THESE INSTRUCTIONS

OPERATING INSTRUCTIONS

INSPECTION

Carefully unpack and inspect your burnisher for shipping damage. Each unit is tested and thoroughly inspected before shipment, and any damage is the responsibility of the delivering carrier who should be notified immediately.

ELECTRICAL

This machine is battery operated and is designed to operate on 36 volts D.C. (3) 12 volt batteries.

BATTERIES

Burnishers are shipped without batteries.

| | | | | |
|----------|--------|-----------|-------------|------------|
| Part No. | 956709 | 12V 185AH | 20 Hr. Rate | 3 required |
|----------|--------|-----------|-------------|------------|

We do not recommend mixing AMP hour capacities. Any alternate battery sets can be used if they equal physical size and capacity. See page 4 for service and installation.

OPERATION

After pad installation, turn master switch ON. Battery condition meter on control panel will indicate charge condition of batteries. Main switch indicator light will light up. Lower pad driver assembly by striking tee handle on rear of control panel upwards and inwards with your knee. Rotate handles forward to turn on pad driver assembly. Move forward in a straight line, check the reading on the operating range meter to insure you are in the GREEN ZONE. Adjust pad pressure as needed.

AFTER USE

Turn main switch OFF. Push down on foot pedal to raise pad. Machine can be cleaned with a mild detergent and a damp cloth. Batteries should be charged after each use or when battery condition indicator shows LOW CHARGE.

MAINTENANCE

Periodically remove battery from machine. Clean batteries, battery tray, and battery compartment with a solution of baking soda and water. Check all battery cables and wiring for signs of damage or wear. Replace as needed.

Grease front and rear wheel zerts once a month for best operation.

Motor bearings have lifetime lubrication.

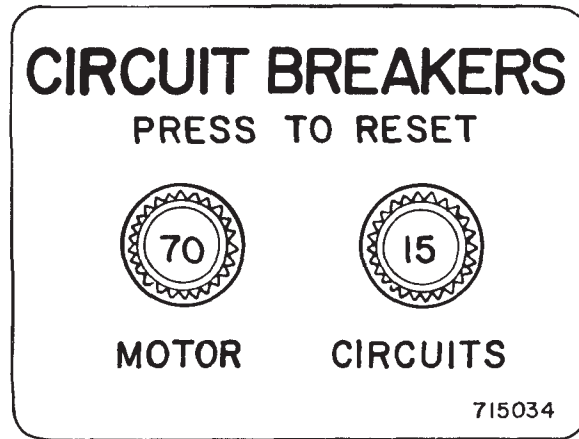
DUST CONTROL OPTION

Refer to page 8 for component identification. Dust control shroud item 35 is self adjusting. Replaceable filter item 69 should be cleaned or replaced after every 8 hours of use or sooner depending on dust conditions. Dust collection tray item 40 is removable and can be emptied of heavy debris when required.

REPLACING FLOOR SEAL STRIP

When floor seal shows signs of excessive wear, seal should be replaced. Edging can be removed by grasping seal at front leading edge and pulling off. To install new seal, see page 8 item 55, push edging on until ends meet. Floor seal edging should be pushed on and seated equally around perimeter of air shroud.

CIRCUIT BREAKER PROTECTION



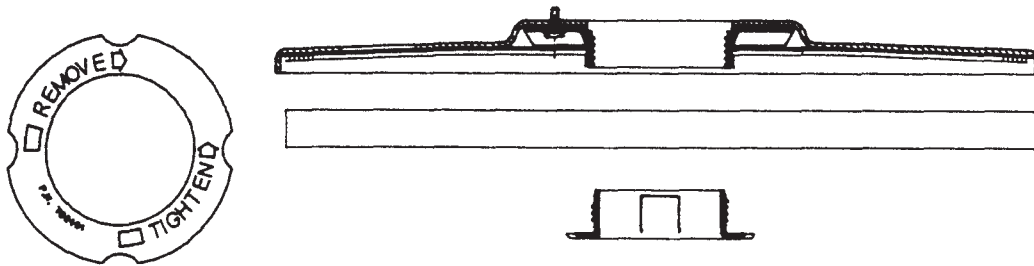
70 AMP circuit breaker protects pad drive motor from excessive overload conditions, i.e. excessive pad pressure, loaded pad.

15 AMP circuit breaker protects control circuits against possible electrical shorts.

If either circuit breaker trips, first determine the cause and correct the condition before resetting breakers.

PAD INSTALLATION

Master switch should be in the **OFF** position before installation and pad driver assembly in the **UP** position. Tilt machine back on its rear support. Remove center cup locking device by gripping on outer edges and turning clockwise. **NOTE:** Center cup cannot be pulled out it must be unscrewed. After removing used pad place new pad on pad driver assembly using outer flange of pad driver to center pad. Push centering locking cup through pad and into pad driver assembly. The ratchet teeth on the center cup will engage into the pad driver assembly and should be pushed in as far as possible. If further tightening is needed rotate center locking cup counter clockwise.



PAD PRESSURE ADJUSTMENTS

Pad pressure adjust knob is located on the left side of the control panel. Counterclockwise rotation increases pad pressure, the opposite rotation decreases. Different floors, floor conditions and pads produce varying pad load conditions. Ideal burnishing conditions are maintained while the operating range meter remains in the **Green Zone**. If meter reads in the **Red Zone**, decrease pad pressure. When the machine is operated in the **Red Zone** for a long period of time, motor overload will occur and the 60 AMP motor circuit will trip. If the motor circuit trips:

1. Check pad condition
2. Decrease pad pressure
3. Reset circuit breaker.

BATTERY SERVICE AND INSTALLATION

WARNING

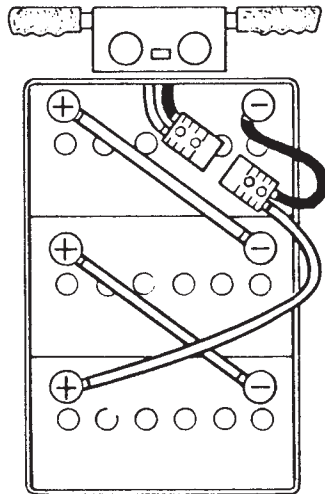
Battery acid can cause burns. When working on or around batteries, wear protective clothing and safety glasses. Remove metal jewelry. Do not lay tools or metal objects on top of batteries.

CHARGING OF BATTERIES

Charging batteries generates explosive gases. DO NOT CHARGE BATTERIES WHEN OPEN FLAMES OR SPARKS ARE PRESENT. DO NOT SMOKE. Make sure the charger is turned off before disconnecting it from the batteries. Charge the batteries in a well-ventilated area with the battery cover removed completely. Fluid levels should be checked before and after charging and maintained at the proper levels. If burnisher is not used for extended periods of time, batteries should be kept fully charged with a boost charge once a week.

BATTERY CABLE ROUTING

185 AH

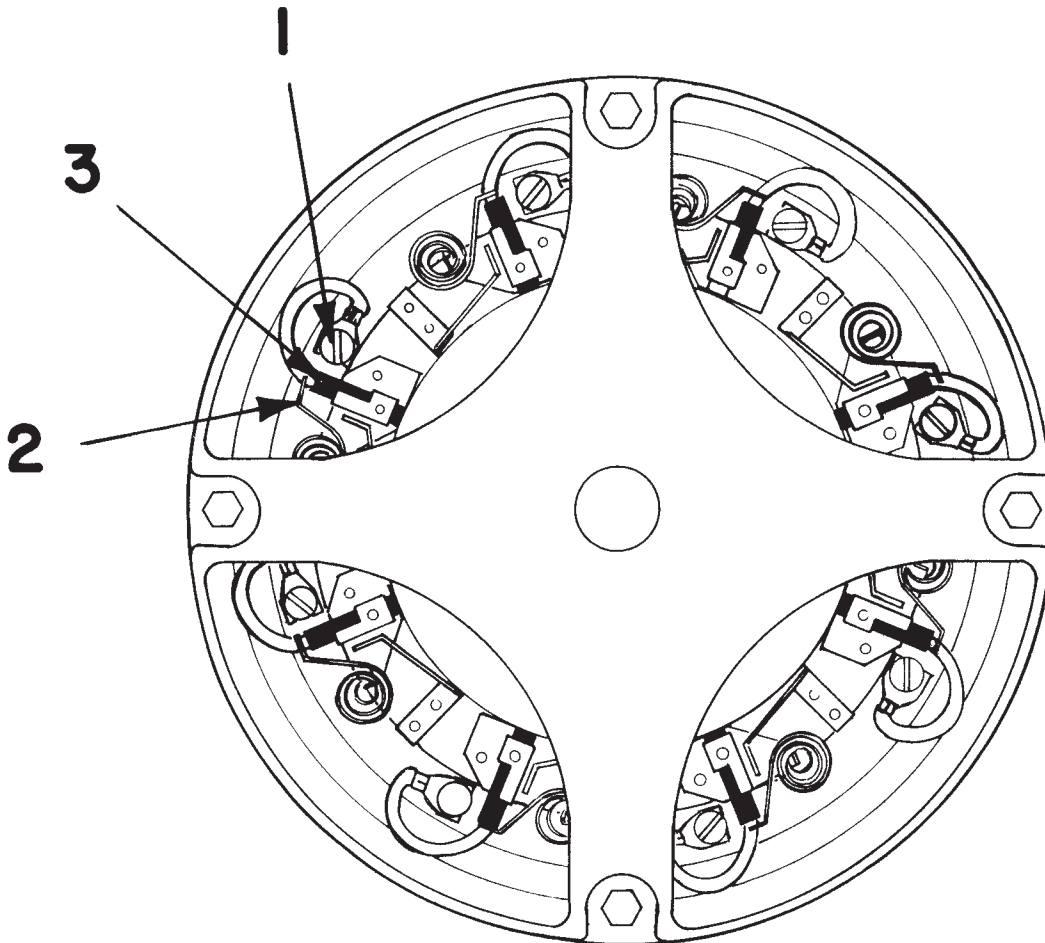


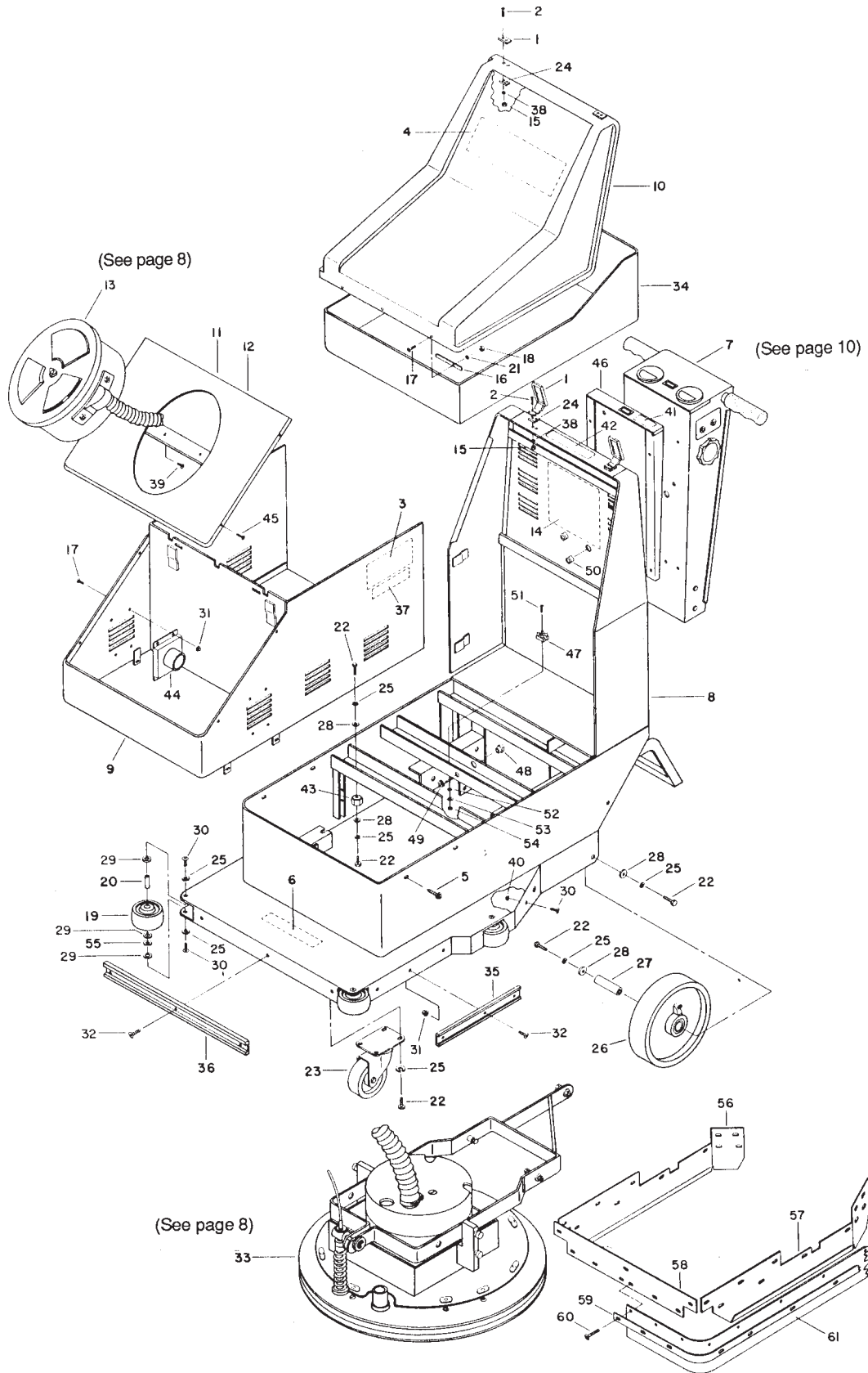
CARBON BRUSH REPLACEMENT

Design life carbon brushes is between 1800-2000 hours. Replace brushes if worn to 3/8" or less, broken or chipped. All carbon brushes should be replaced when motor is serviced. 8 required, PN 740211. Red indicator on control panel will glow red when carbon brush service is required.

CARBON BRUSH SERVICE

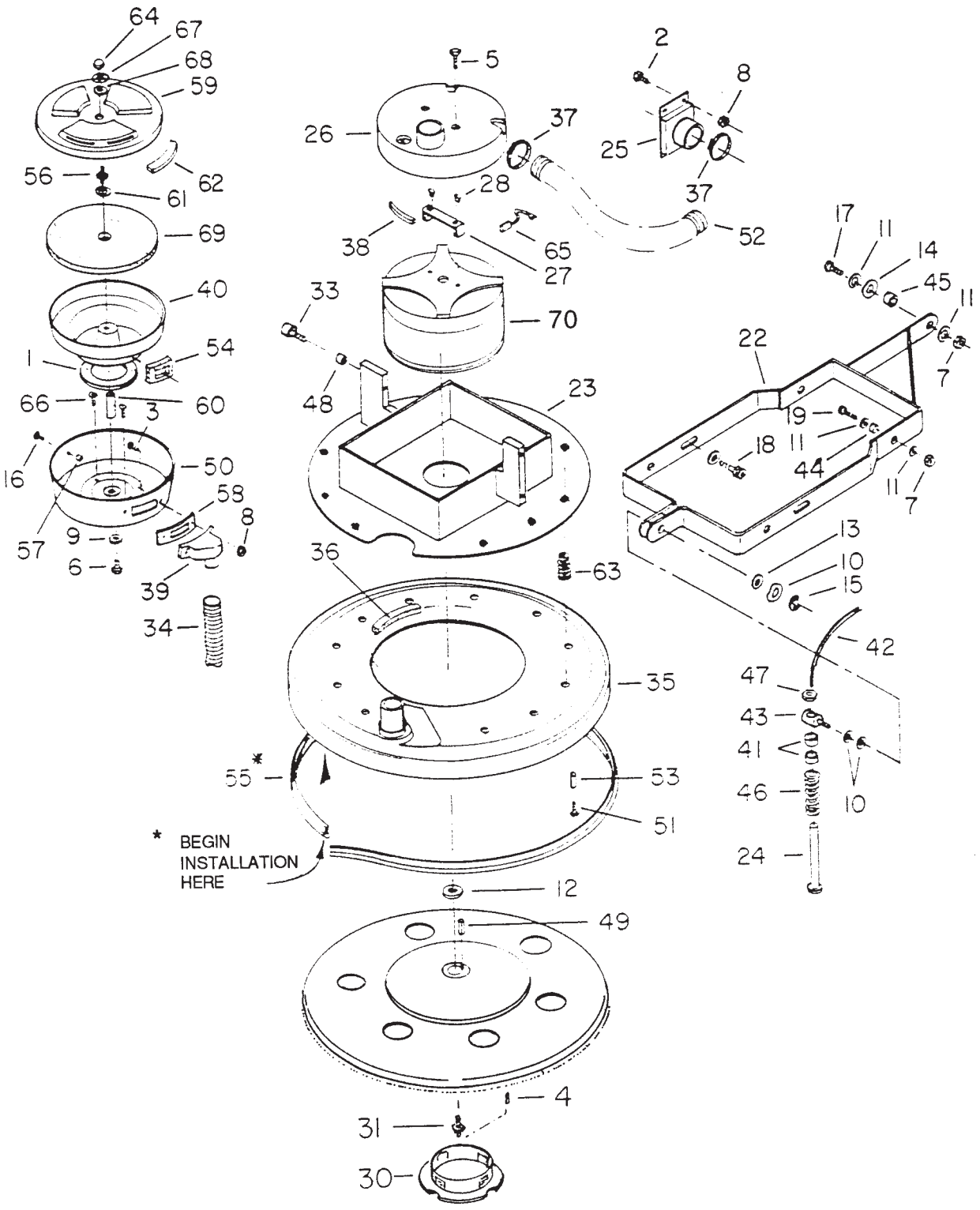
1. Disconnect batteries and remove from machine.
2. Remove motor electrical cables.
3. Remove motor from machine.
4. Remove top motor cover from motor (page 3 item 42).
5. Blow out top of motor with air line.
6. Loosen screw (1) and remove carbon brush lead.
7. Slide brush spring (2) off the back of carbon brush (3) and remove brush.
8. Reverse order for installation.



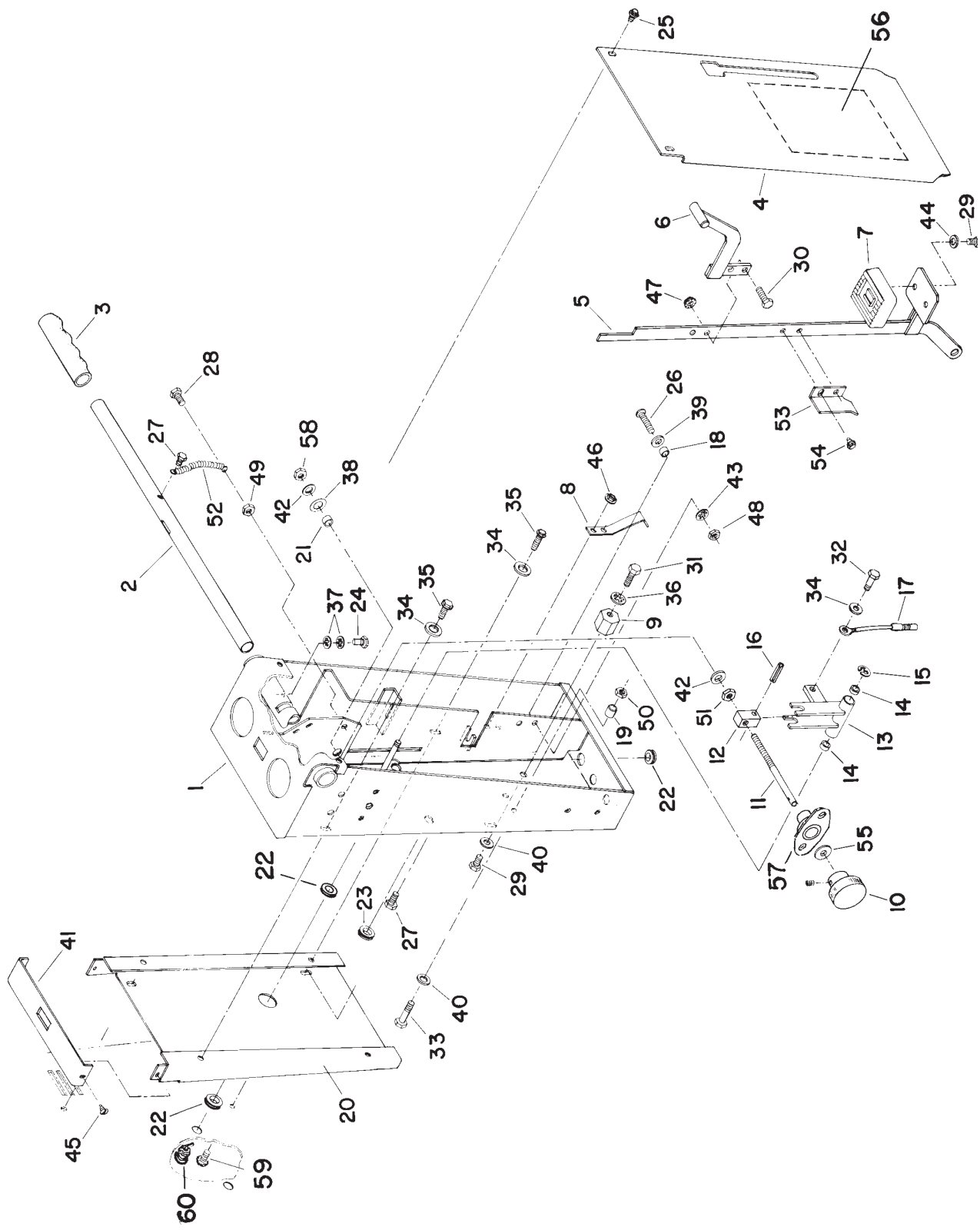


MAIN FRAME ASSEMBLY

| ITEM NO. | PART NO. | QTY | DESCRIPTION |
|----------|----------|-----|--|
| 1 | 762368 | 2 | Latch, Poly Black |
| 2 | 710490 | 8 | SCR-MC 4-40 x .50 ST PL |
| 3 | 715039 | 2 | Decal, Logo |
| 4 | 715099 | 1 | Decal, Logo |
| 5 | 711109 | 4 | SCR-ST-A 12 x .50 PL |
| 6 | 715040 | 1 | Decal, Caution (See Page 10) |
| 7 | | | |
| 8 | 750103 | 1 | Cabinet Assembly |
| 9 | 750401 | 1 | Battery Box |
| 10 | 762366 | 1 | Cover, Battery ABS |
| 11 | 750105 | 1 | D/C Nose Cover Assembly |
| 12 | 762341 | 1 | Cover, Front (See Page 8) |
| 13 | | | |
| 14 | 715033 | 1 | Decal, Battery Routing |
| 15 | 711428 | 8 | Nut-Hex 4-40 |
| 16 | 762367 | 1 | Bkt, Mounting |
| 17 | 710353 | 7 | SCR-MC 10-32 x .37 ST PL |
| 18 | 711310 | 3 | Nut-Hex 6-32 ST PL |
| 19 | 762331 | 4 | Wheel, 2.5D x 1.28W x .38ID |
| 20 | 762334 | 4 | Axle, Wheel |
| 21 | 711543 | 3 | WSR-Helical #10 |
| 22 | 711202 | 12 | BLT-HH 1/4-20 x .50 ST PL |
| 23 | 762333 | 2 | Caster, 3.5 Dia. w/Zert |
| 24 | 762390 | 2 | Shim, Latch |
| 25 | 711544 | 12 | WSR-Helical 1/4 |
| 26 | 762332 | 2 | Wheel 8 x 2 x .75 w/bearing |
| 27 | 762335 | 2 | Axle, Wheel 2.56 x .75D |
| 28 | 711505 | 4 | WSR-Flat 1/4 |
| 29 | 711515 | 12 | WSR-Flat .44 x .87 x .07 |
| 30 | 710177 | 8 | SCR-MC 1/4-20 x .37 ST PL |
| 31 | 711427 | 17 | Nut-Flanged Wizz 10-32 |
| 32 | 710254 | 11 | SCR-MC 10-32 x .50 ST PL (See Page 8) |
| 33 | | | |
| 34 | 762369 | 1 | Case, Battery Liner |
| 35 | 760204 | 2 | Side Bumper 9.75" |
| 36 | 760205 | 1 | Bumper Front 17" |
| 37 | 715100 | 2 | Decal PAMS™ |
| 38 | 711596 | 7 | WSR-Internal Lock #4 |
| 39 | 710195 | 2 | SCR-MC 5/16-18 x .50 ST PL |
| 40 | 711425 | 4 | Nut-Flanged Wizz 1/4-20 |
| 41 | 715067 | 1 | Decal Brush Wear Indicator |
| 42 | 715073 | 1 | Decal, Caution CB Reset |
| 43 | 740132 | 2 | Insulator |
| 44 | 750697 | 1 | Hose Mounting Bracket |
| 45 | 711104 | 4 | SCR-ST-A 10 x .50 |
| 46 | 750696 | 1 | Support Weldment |
| 47 | 740036 | 1 | Terminal Block |
| 48 | 380032 | 1 | Strain Relief, Round |
| 49 | 760114 | 1 | Grommet .25 x .50 x .37 |
| 50 | 740108 | 2 | Strain Relief |
| 51 | 710207 | 1 | SCR-MC 6-32 x .87 ST PL |
| 52 | 711501 | 1 | WSR-Flat #6 |
| 53 | 711503 | 1 | WSR-Flat #10 |
| 54 | 711301 | 1 | Nut-Hex 6-32 ST PL |
| 55 | 711523 | 4 | WSR-Wave .37 x .68 x .02 |
| 56 | 760208 | 1 | Pad Guard Skirt Left |
| 57 | 760207 | 1 | Pad Guard Skirt Right |
| 58 | 760206 | 1 | Retainer Mtg Bkt Front |
| 59 | 762344 | 2 | Retainer, Bumper |
| 60 | 710255 | 24 | SCR-MC 10-32 x .62 ST PL |
| 61 | 762345 | 2 | Skirt, Rubber |

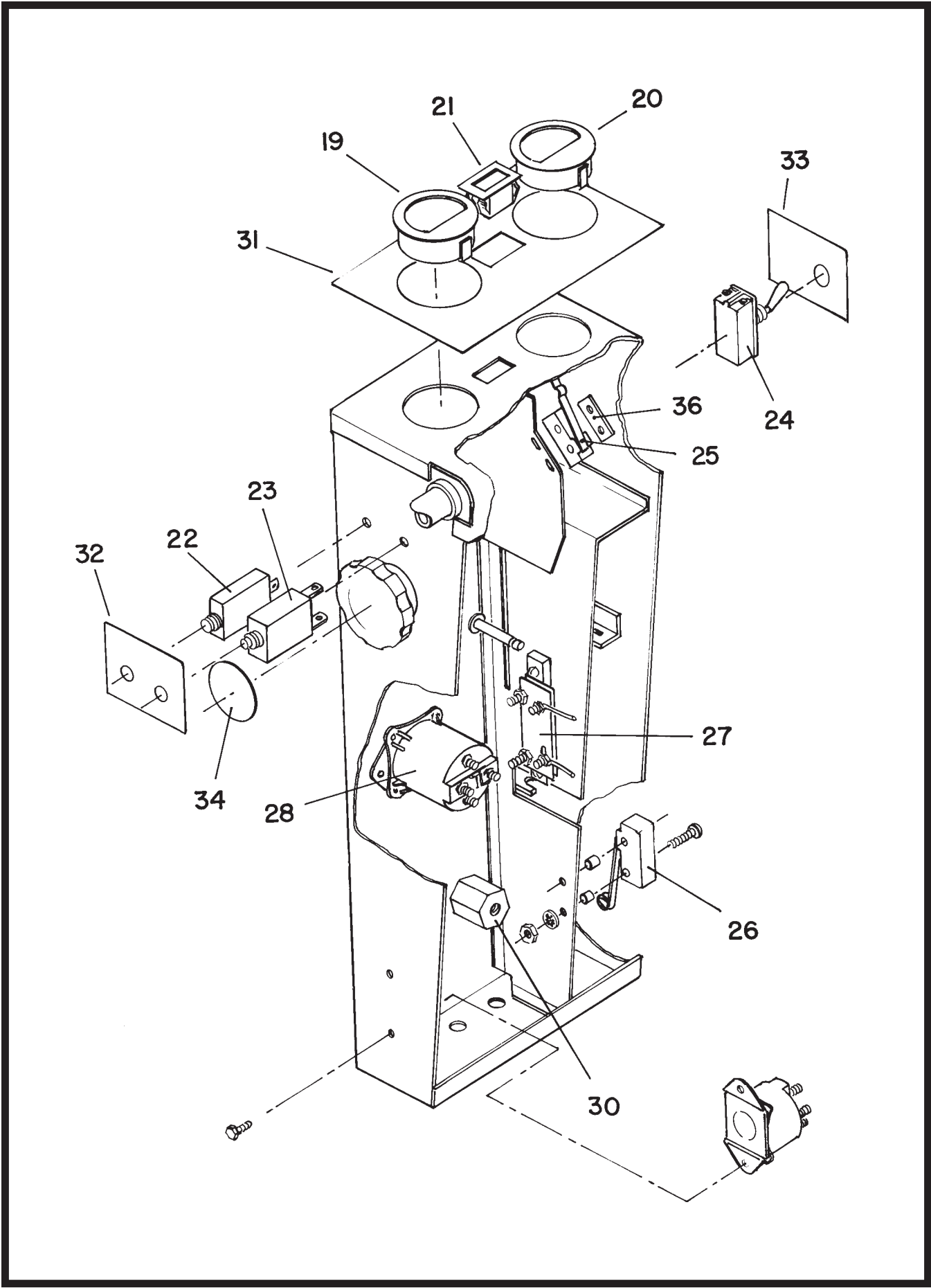


| ITEM NO. | PART NO. | QTY | DESCRIPTION |
|----------|-----------|-----|-------------------------------|
| 1 | 380035 | 1 | Gasket, 4.31 x 5.81 x .19 |
| 2 | 710353 | 4 | SCR-MC 10-32 x .37 STPL |
| 3 | 710555 | 2 | SCR-MC 10-32 x .56 STPL |
| 4 | 711001 | 1 | SCR-SK 8-32 x .12 |
| 5 | 711124 | 2 | SCR-ST-B 10 x .37 NI |
| 6 | 711202 | 1 | BLT-HH 1/4-20 x .50 STPL |
| 7 | 711376 | 3 | Nut-Nyloc 1/2-13 |
| 8 | 711427 | 6 | Nut-Flanged Wizz 10-32 |
| 9 | 711505 | 1 | WSR-Flat 1/4 |
| 10 | 711507 | 3 | WSR-Flat .37 x 1.12 x .06 |
| 11 | 711509 | 6 | WSR-Flat 1/2 STPL |
| 12 | 711512 | 2 | WSR-Flat .75 x 1.37 x .08 |
| 13 | 711523 | 1 | WSR-Wave .37 x .68 x .02 |
| 14 | 711582 | 2 | WSR-Wave .50 x .75 x .02 |
| 15 | 711717 | 1 | Retaining Ring-E Ext. .37 |
| 16 | 711903 | 1 | Rivet-Pop .19 x .25 AL |
| 17 | 712010 | 1 | BLT-HH 1/2-13 x 1.25 STPL |
| 18 | 712041 | 2 | BLT-SDER 1/4-20 x .44 x .37 |
| 19 | 712047 | 2 | BLT-HH 1/2-13 x 1.50 |
| 20 | 740210 | 1 | MTR 2.5 HP 36V 2200 |
| 21 | 750037 | 1 | Hako Multi-Flex Pad Driver |
| 22 | 750102 | 1 | MTR Lift Bracket Assembly |
| 23 | 750104 | 1 | Motor & D/C Platform |
| 24 | 750688 | 1 | Spring Pin Assembly |
| 25 | 750697 | 1 | Hose Mtg. Bracket Weldment |
| 26 | 760075 | 1 | Cover, Motor Cooling Imp. 2.5 |
| 27 | 760076 | 1 | Bracket Mounting (760075) |
| 28 | 760085 | 2 | Insert Plastic (760076) |
| 29 | 760098 | 1 | Locking Nut |
| 30 | 760401 | 1 | Center Cup, New Style |
| 31 | 760101PLT | 1 | THD Drive Pin 3/8 x 24 |
| 32 | 760105 | 1 | O-Ring .375 x .625 x .125 |
| 33 | 760183 | 4 | Cam Follower Bearing |
| 34 | 760196 | 1 | Hose Battery D/C |
| 35 | 760203 | 1 | Vac Shroud Battery D/C |
| 36 | 760235 | 1 | Air Seal Foam 1 x 1 x 34" |
| 37 | 760859 | 3 | Camp, Hose |
| 38 | 762001 | 1 | Edging Motor Cooling (762365) |
| 39 | 762131MCH | 1 | Hose Fitting 2300 |
| 40 | 762132 | 1 | Dust CollectionTray |
| 41 | 762146PLT | 2 | Bushing Zinc Plated |
| 42 | 762253 | 1 | Cable Assembly Pressure Adj. |
| 43 | 762258 | 1 | Guide Pin Adjustment Pres. |
| 44 | 762337 | 2 | Bushing .50 x .62 x .41 |
| 45 | 762338 | 1 | Bushing .50 x .62 x .21 |
| 46 | 762339 | 1 | Spring, Compression |
| 47 | 711307 | 1 | Nut 10-24 |
| 48 | 762371 | 4 | Bushing .260 x .50 x .37 |
| 49 | 762375 | 1 | Key, .187 x sq. x .78 |
| 50 | 762396 | 1 | Filter Housing |
| 51 | 762397 | 11 | Leveler Bolt |
| 52 | 762398 | 1 | Hose Rubber Flex 2 x 13 |
| 53 | 762399 | 11 | Bushing .25 x .37 x 1 |
| 54 | 762404 | 1 | Filter Gasket |
| 55 | 762408PKG | 1 | Floor Seal, Pkg. of 6 |
| 56 | 762409PLT | 1 | THD Pin Retainer Zinc PL |
| 57 | 762410 | 1 | Bushing .196 x .312 x .265 |
| 58 | 762411 | 1 | Gasket Dust Collection |
| 59 | 762415 | 1 | Filter Housing Cover |
| 60 | 762416PLT | 1 | Spacer Threaded Plated |
| 61 | 800181 | 1 | O-Ring Retainer Screw |
| 62 | 805042 | 1 | Gasket |
| 63 | 809857 | 11 | Spring Conical |
| 64 | 833214 | 1 | Knob 3-Sided 1/4 20 INSE |
| 65 | 740211 | 8 | Brush Carbon Replacement |
| 66 | 710923 | 2 | SCR-SC 5/16 x 18 x .62 |
| 67 | 711524 | 1 | WSR-Wave .52 x .87 x .01 |
| 68 | 711594 | 1 | WSR-Flat .56 x .88 x .03 |
| 69 | 762403 | 1 | Filter Pad 9", Case of 5 |
| 70 | 740210 | 1 | Motor 2.5 HP 36V DC |



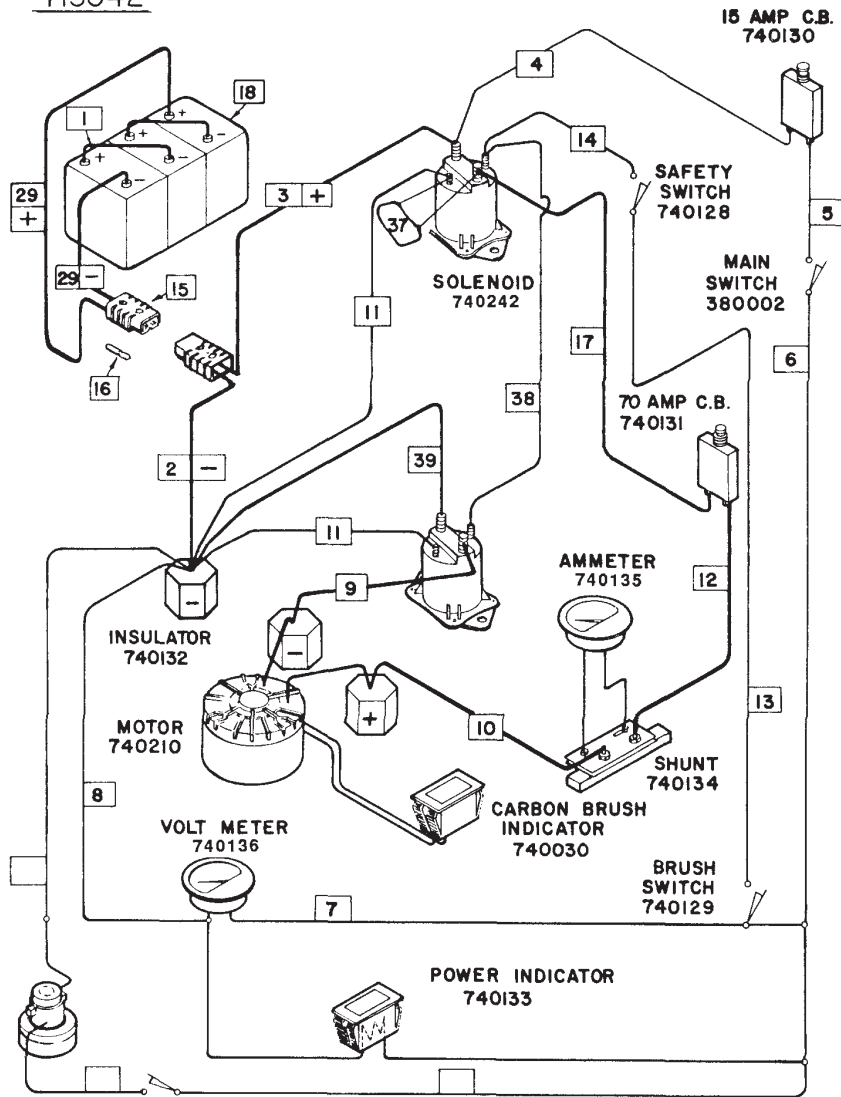
HANDLE ASSEMBLY

| ITEM NO. | PART NO. | QUANTITY | DESCRIPTION | ITEM NO. | PART NO. | QUANTITY | DESCRIPTION |
|----------|-----------|----------|---------------------------|----------|----------|----------|---------------------------|
| 1 | 750678 | 1 | Wldment, Control Box | 31 | 711208 | 1 | BLT-HH 1/4-20x1 Brass |
| 2 | 762279 | 1 | Tube, Handle | 32 | 712041 | 1 | BLT, SDER 1/4-20x.44x.37 |
| 3 | 762086 | 2 | Grip, Handle | 33 | 710387 | 2 | SCR-MC 1/4-20x1.75 ST PL |
| 4 | 762280 | 1 | Cover, Rear Control Box | 34 | 711506 | 6 | WSR, Flat 5/16 ST PL |
| 5 | 750107 | 1 | Pedal Bkt Asy Weldment | 35 | 712042 | 6 | Bolt HH 5/16-18x.62 SP |
| 6 | 750682 | 1 | Weldment, Handle Asy | 36 | 711554 | 1 | WSR-Lock 1/4 ID ST PL |
| 7 | 762294MCH | 1 | Pedal | 37 | 711558 | 4 | WSR, LOC INT 5/16 ID |
| 8 | 762296 | 1 | Bkt, Spring Steel | 38 | 711525 | 1 | WSR, Wave 5/8-.65x.86x.01 |
| 9 | 740132 | 1 | Insulator (Glastic) | 39 | 711501 | 2 | WSR, FLT #6 |
| 10 | 762284 | 1 | Knob, Adjustment | 40 | 711505 | 2 | WSR, Flat 1/4 |
| 11 | 762283 | 1 | Rod, Adjustment | 41 | 760074 | 1 | Cover, Light Mounting |
| 12 | 762282 | 1 | Block, Adjustment | 42 | 711515 | 2 | WSR Flat .44x.87x.07 |
| 13 | 750679 | 1 | Asy, Pivot Bracket | 43 | 711551 | 2 | WSR, Intrnl Tooth Loc #6 |
| 14 | 762281 | 2 | Bushing .371Dx.50ODx.25L | 44 | 711544 | 5 | WSR, Helical SPR LOC 1/4 |
| 15 | 711717 | 1 | Ring, Snap .37 E Type Ext | 45 | 711102 | 2 | SCR-ST-A 8x.50 NI |
| 16 | 711667 | 1 | Rollpin .312x1.50 | 46 | 711426 | 2 | Flanged Wizz Nut 8/32 |
| 17 | 762253 | 1 | Cable Asy Pressure Adj | 47 | 711425 | 2 | Flanged Wizz Nut 1/4 20 |
| 18 | 380039 | 2 | Bushing .19x.31x.31 | 48 | 711301 | 2 | Nut-Hex 6-32 St PL |
| 19 | 762297 | 2 | Bushing .25x.37x.50 | 49 | 711427 | 1 | Flanged Wizz Nut 10/32 |
| 20 | 750696 | 1 | Support Weldment | 50 | 711316 | 2 | Nut-Hex 1/4-20 ST PL |
| 21 | 762295 | 1 | Bushing .37x.62x.19 | 51 | 711393 | 1 | Nut-Hex Jam 3/8-24 ST PL |
| 22 | 762386 | 2 | Grommet .37x.06x.62 | 52 | 762084 | 1 | Spring |
| 23 | 762299 | 4 | Grommet .50x.09x.75 | 53 | 762385 | 1 | BKT, SW Activator Safety |
| 24 | 712046 | 1 | BLT Mched 5/16x18 | 54 | 712050 | 2 | SCR, IHWH 10/32x5/16 |
| 25 | 711104 | 2 | SCR-ST-A 10x.50 | 55 | 711519 | 1 | Washer |
| 26 | 710008 | 2 | SCR-MC 6/32x1.25 ST PL | 56 | 715042 | 1 | Decal, Wiring Diagram |
| 27 | 710328 | 3 | SCR-MC 8-32x.37 ST PL | 57 | 760035 | 1 | Bearing, Flanged Mounted |
| 28 | 710331 | 1 | SCR-MC 8-32x.75 ST PL | 58 | 711384 | 1 | Nut, Loc 3/8-24 Fin Jam |
| 29 | 711202 | 4 | BLT-HH 1/4-20x.50 ST PL | 59 | 710923 | 2 | SCR-SC 5/16-18x.62 ST PL |
| 30 | 711207 | 2 | BLT-HH 1/4-20x1 ST PL | 60 | 740108 | 2 | Heyco Bushing |



WIRING DIAGRAM

715042



| ITEM NO. | PART NO. | QTY | DESCRIPTION | ITEM NO. | PART NO. | QTY | DESCRIPTION |
|----------|----------|-----|--------------------------|----------|----------|-----|--------------------------|
| 1 | 740120 | 2 | Asy, Cable Battery #4x15 | 21 | 740133 | 1 | Light, Indicator 36V DC |
| 2 | 740045 | 1 | Cable Asy Neg | 22 | 740131 | 1 | Breaker, Circu 70A Motor |
| 3 | 740046 | 1 | Cable Asy Pos | 23 | 740130 | 1 | Breaker, Circuit 15A |
| 4 | 740138 | 1 | Asy, Wire #14x9 | 24 | 380002 | 1 | Switch, Toggle 1.5 HP |
| 5 | 740139 | 1 | Asy, Wire #14x9 | 25 | 740129 | 1 | Switch, Sanp SPST NC |
| 6 | 740140 | 1 | Asy, Wire #14x8 | 26 | 740128 | 1 | Switch, Snap SPST NC |
| 7 | 740141 | 1 | Asy, Wire #14x6 | 27 | 740134 | 1 | Shunt 100MV x 100 AMP |
| 8 | 740143 | 1 | Asy, Wire #14x20 | 28 | 740242 | 2 | Contactur SBC-4301B 36V |
| 9 | 740121 | 1 | Asy, Wire #6x27.00 (9) | 29 | 750070 | 1 | Cable Asy w/Plug |
| 10 | 740122 | 1 | Asy, Cable #6x31.50 | 30 | 740132 | 1 | Insulator (Glastic) |
| 11 | 740144 | 2 | Asy, Wire #14x6 | 31 | 715037 | 1 | Decal, Operation/Instruc |
| 12 | 740124 | 1 | Asy, Cable #4x12.75 | 32 | 715034 | 1 | Decal, Circuit Breaker |
| 13 | 740145 | 1 | Asy, Wire #14x17.50 | 33 | 715036 | 1 | Dedal, Main Switch |
| 14 | 740146 | 1 | Asy, Wire #14x12 | 34 | 715038 | 1 | Decal, Pad Pressure |
| 15 | 740147 | 1 | Plug Only SB175 | 36 | 711430 | 1 | Nut-Tinnerman 6-32 |
| 16 | 740035 | 2 | Terminal for Plug | 37 | 750041 | 1 | Capacitor Discharge Asy |
| 17 | 740123 | 1 | Asy, Cable #4x12.75 | 38 | 740041 | 1 | Wire Asy 14x11 |
| 18 | 956709 | 3 | Battery 12V 185AH A Post | 39 | 740171 | 1 | Cable Asy Jumper 4" |
| 19 | 740136 | 1 | Meter, Volt 22V 45V | *** | 740036 | 2 | Terminal Block 6E/2DS |
| 20 | 740135 | 1 | Meter, 100 AMP DC | *** | 740049 | 1 | Cable 16-2 48" |

LIMITED WARRANTY

Minuteman International, Inc. warrants to the original purchaser/user that this product is free from defects in workmanship and materials under normal use and service for a period of three years from date of purchase. In addition, Minuteman International, Inc. will, at its option, honor labor warranty claims for the first 12 months from date of sale, provided such claims are submitted through and approved by factory authorized repair stations. Minuteman International, Inc. will, at its option, repair or replace without charge, except for transportation costs, parts that fail under normal use and service when operated and maintained in accordance with the applicable operation and instruction manuals.

This warranty does not apply to normal wear, or to items whose life is dependent on their use and care, such as belts, cords, switches, hoses, rubber parts, electrical motor components or adjustments. Parts not manufactured by Minuteman International, Inc. such as engines, batteries, battery chargers, hydraulic pumps, and tires are covered by and subject to the warranties and/or guarantees of their manufacturers. Please contact Minuteman International, Inc. for procedures in warranty claims against these manufacturers.

Special warning to purchaser — Use of replacement filters and/or prefilters not manufactured by Minuteman International, Inc. or its designated licensees, will void all warranties expressed or implied.

A potential health hazard exists without exact original equipment replacement.

All warranted items become the sole property of Minuteman International, Inc. or its original manufacturer, whichever the case may be.

Minuteman International, Inc. disclaims any implied warranty, including the warranty of merchantability and the warranty of fitness for a particular purpose. Minuteman International, Inc. assumes no responsibility for any special, incidental or consequential damages.

This limited warranty is applicable only in the U.S.A. and Canada, and is extended only to the original user/purchaser of this product. Customers outside the U.S.A. and Canada should contact their local distributor for export warranty policies. Minuteman International, Inc. is not responsible for costs or repairs performed by persons other than those specifically authorized by Minuteman International, Inc. This warranty does not apply to damage from transportation, alterations by unauthorized persons, misuse or abuse of the equipment, use of non-compatible chemicals, or damage to property, or loss of income due to malfunctions of the product.

If a difficulty develops with this machine, you should contact the dealer from whom it was purchased.

This warranty gives you specific legal rights, and you may have other rights which vary from state to state. Some states do not allow the exclusion or limitation of special, incidental or consequential damages, or limitations on how long an implied warranty lasts, so the above exclusions and limitations may not apply to you.

Minuteman[®]

World Headquarters
Minuteman International, Inc.
111 South Rohlwing Road
Addison, Illinois 60101

Minuteman Canada, Inc.
2210 Drew Road
Mississauga, Ontario
L5S 1B1

(630) 627-6900
FAX (630) 627-1130

(905) 673-3222
FAX (905) 673-5161

986711
Printed in U.S.A.