

# Drydynamic™

# 170BR

17" Battery Powered Grout Scrubber

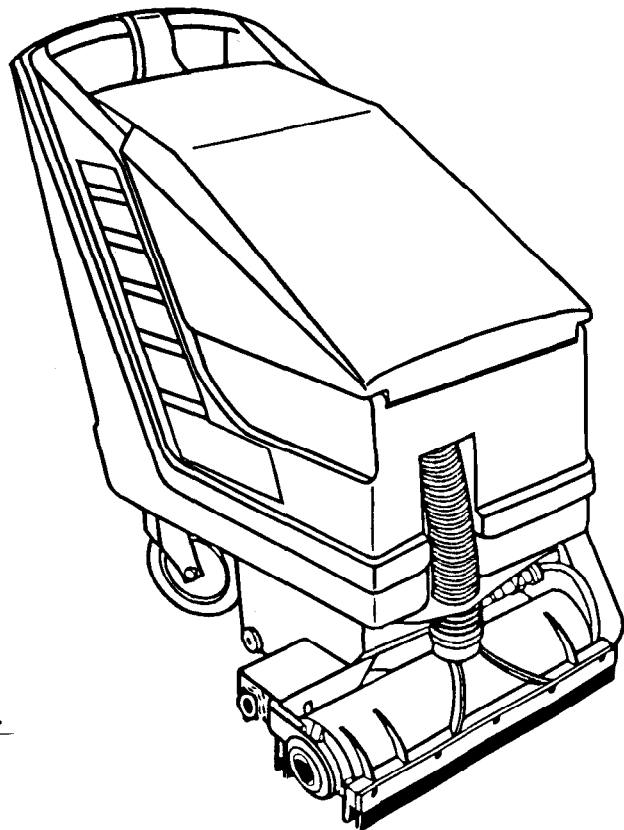
MODEL: DR170B

## Parts Manual

REV. 03 (6-93)



PDF Version of Manual by:  
Michigan Company Inc.  
2011 N. High St.  
Lansing, Mich. 48906  
(517) 484-9312  
<http://www.Michco.Com>  
Email: [Shop@Michco.Com](mailto:Shop@Michco.Com)  
(c) 1998 by Michco & Others.



*Record Machine Serial Number here*

---

# Castex®

*The Specialists in Carpet Maintenance*

**Castex Incorporated** • A Tennant Company

12875 Ransom Street • Holland, MI 49424 U.S.A.

1-800-522-7839 • 616-786-2330

Fax: 1-800-678-4240 • CUSTOMER SERVICE: 1-800-365-6625

)

)

)

## CONTENTS

	Page
FINDING A TENNANT PART NUMBER .....	2
ORDERING REPAIR PARTS .....	3
SERIAL NUMBER INFORMATION EXPLANATION .....	3
Fig. 1 - Motor Frame Group .....	4
Fig. 2 - Tank Group .....	6
Fig. 3 - Transport System .....	8
Fig. 4 - Squeegee Head Group .....	10
Fig. 5 - Battery Cable Group .....	12
Fig. 6 - Console Cover .....	14
Fig. 7 - Pump Motor .....	16
Fig. 8 - Vacuum Fan .....	17
Fig. 9 - Battery Group .....	18
Fig. 10 - Carpet Wand .....	19
Fig. 11 - Hard Floor Wand .....	20
Fig. 12 - Upholstery Tool .....	22
Fig. 13 - Detergents .....	22
Fig. 14 - Hose Assembly .....	23
Fig. 15 - Electrical Schematic .....	24

# HOW TO USE THIS MANUAL

## FINDING A TENNANT PART NUMBER

This manual contains the following sections:

- HOW TO USE THIS MANUAL
- STANDARD PARTS
- OPTIONS
- BREAKDOWNS
- CROSS REFERENCE

The STANDARD PARTS section lists repair parts for standard machines. They are grouped in this general order:

- General wear parts.
- Machine frame and related parts.
- Machine propelling system.
- Scrubbing components.
- Electrical parts.

The OPTION section lists repair parts of options.

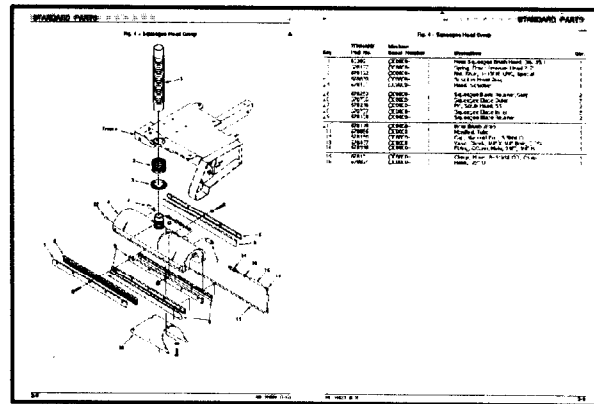
The BREAKDOWN section lists available repair parts of major components.

All sections in this manual consist of parts illustrations and corresponding parts lists.

The parts illustrations are numbered with *Ref* numbers which refer to corresponding parts lists.

The parts lists include a number of columns of information:

- **Ref** - column refers to the reference number on the parts illustration.
- ∇ - indicates the part is an assembly.
- ▲ - indicates the part is included in the assembly listed just before it.
- **TENNANT TREND Part No.** - column lists the TENNANT TREND part number for the part.
- **Serial Number** - column indicates the set of machines the part number is applicable to. Serial numbers change when the machine design has been modified. The most current design of the machine is shown in the main illustration, older designs are boxed in a corner of the illustration. See *SERIAL NUMBER INFORMATION EXPLANATION*.
- **Description** - column is a brief description of the part.
- **Qty.** - column lists the quantity of that part used in that area of the machine.



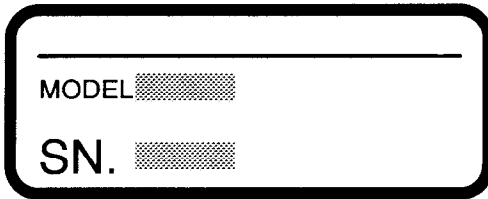
Key	TENNANT Part No.	Machine Serial Number	Description	Qty.	
1	603021	(000000- )	Hose Squeegee Brush Head, Dia. 38.1	1	
2	578127	(000000- )	Spring, Down Pressure Head 2.5"	1	
3	578122	(000000- )	Nut, Knurl, 1-13/16 UNC, Special	1	
∇	578830	(000000- )	Scrubber Head Assy	1	
▲	578101	(000000- )	Head, Scrubber	1	
▲	6	578263	(000000- )	Squeegee Blade Retainer, Gray	2
▲	6	578706	(000000- )	Squeegee Blade Outer	2
▲	7	579216	(000000- )	Pin, Scrub Head, SS	2
▲	8	578707	(000000- )	Squeegee Blade Inner	2
▲	9	578108	(000000- )	Squeegee Blade Retainer	2
▲	10	579119	(000000- )	Inner: Brush Wreap	1
11	578066	(000000- )	Manifold, Tube	1	
12	578150	(000000- )	Cap, Manifold End, 5.8MM ID	1	
13	579437	(000000- )	Valve, Check, 1/4" X 1/4" Barb, 3 PSI	1	
14	579318	(000000- )	Fitting, QConn, Male, 3/16", 1/4" I.D.	1	
15	578161	(000000- )	Clamp, Hose, 8-11MM OD, Crimp	1	
16	579824	(000000- )	Hose, .25" ID	1	

**ORDERING REPAIR PARTS**

The components used in this machine have been carefully selected for performance and safety. Use only specified or equivalent parts.

When ordering parts, please furnish all of the following information:

1. Machine model and serial numbers - shown on the machine data plate.



2. Company name.
3. Name, first and last - of person ordering parts.
4. Customer account number.
5. Ship to number.
6. Required means of shipment.
7. Purchase order number.
8. Part number, description, and quantity - of each item on the order.

Do not order parts by key number or the figure number of the illustrated parts. Indented items indicate parts of assemblies.

Any claim for loss or damage to a shipment in transit should be filed promptly against the transportation company making the delivery. Shipments will be complete unless the packing list indicate items back ordered.

If parts received are suspected to be incorrect or defective, please write, fax, or phone the Tennant Trend representative from whom you ordered the part. They will give authorization for return and/or handle replacement shipments when required.

**SERIAL NUMBER INFORMATION EXPLANATION**

Serial number listings are shown to indicate on which machines each part can be used. These listings are explained by the following examples:

(000000- ) The part can be used on all machines.

(003342- ) The part can be used on all machines beginning with the serial number listed.

(000000-004320) The part can be used on all machines up to and including serial number listed.

(004321-005678) The part can be used on all machines between and including the serial numbers listed.

Where xxxxxx's are listed in place of a serial number, it indicates a change was made but the exact serial number had not been established when the catalog went to press.

**SI UNITS OF MEASURE (INTERNATIONAL SYSTEM)**

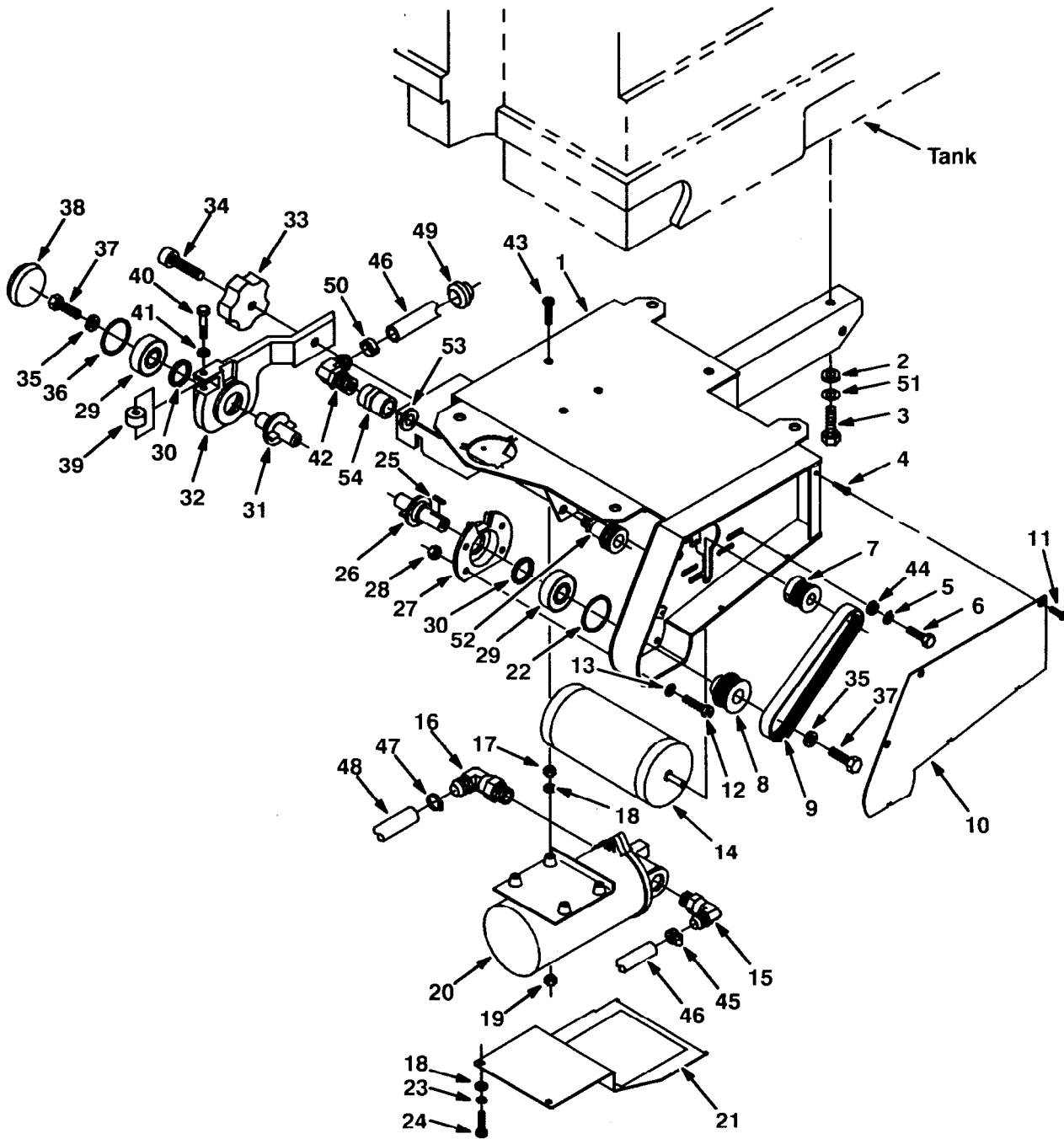
Metric equivalents have been included, where applicable, throughout this parts catalog.

**FASTENER STRENGTH IDENTIFICATION**

Fasteners required to have high-strength qualities equivalent to SAE Grade 8 are identified throughout this catalog by the description GR 8. Unless identified by this description, all standard fasteners are SAE Grade 5.

(Specifications and design subject to change without notice.)

Fig. 1 - Motor Frame Group



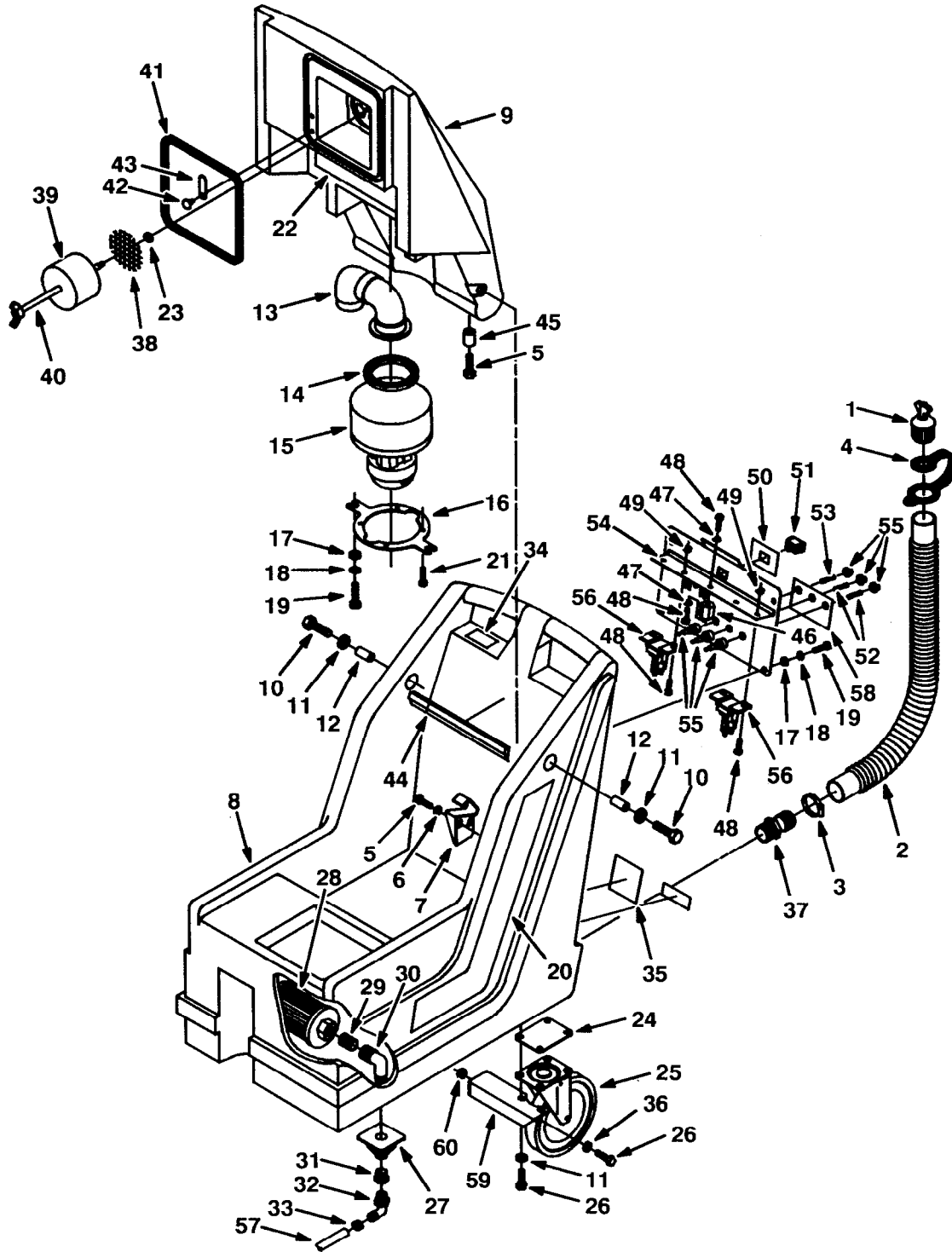
06458

Key	Tennant Trend Part Number	Machine Serial Number	Description	Qty.
1	603-070-000	(000000- )	Frame, Motor	1
2	069-760-079	(000000- )	Washer, Plain, Ansi-A .31" Wd, ZP	6
3	200-031-487	(000000- )	Screw, Hex Hd, MO8 X 18MM	6
4	578-329-000	(000000- )	Screw Anchor #6	3
5	200-370-016	(000000- )	Washer, Lock, SPG, Ansi, .25" ZP, 06	4
6	578-201-000	(000000- )	Screw, Pan Hd, Phil, #10-32, .50 ZP	4
7	578-414-000	(000000- )	Pulley, Motor	1
8	578-413-000	(000000- )	Pulley, Brush	1
9	578-118-000	(000000- )	Belt, Poly-V, Length 381MM	1
10	578-182-000	(000000- )	Cover, Belt	1

Fig. 1 - Motor Frame Group

Key	Tennant Trend Part Number	Machine Serial Number	Description	Qty.
11	578-278-000	(000000- )	Screw, Flat Hd, Phil, 6-32 X .50" SS	3
12	578-187-000	(000000- )	Screw, Pan Hd, Phil MO6.12MM, ZP	4
13	578-244-000	(000000- )	Washer, Lock, Int, 6.4 ID, 10MM, SS	4
14	603-028-000	(000000- )	Motor, Brush	1
15	578-040-000	(000000- )	Fitting, Elbow, .38NPT X .25 Hose	1
16	578-039-000	(000000- )	Fitting, Elbow, .50" Hose, .38"NPT	1
17	578-194-000	(000000- )	Nut, Lock, MO4, SS	3
18	578-186-000	(000000- )	Washer, Flat, 4.3 X 12 X 1.0, ZP	5
19	578-257-000	(000000- )	Nut, KEP, MO4	3
20	603-320-000	(000000- )	Pump, 24 VDC (See Breakdowns)	1
21	578-181-000	(000000- )	Cover, UL	1
22	578-319-000	(000000- )	O-Ring, 1.56"ID, 1.75"OD, Buna	1
23	200-370-014	(000000- )	Washer, Lock, Int. 4.3 x 12 x 1.0, ZP	2
24	200-070-340	(000000- )	Screw, Pan Hd, Phil, MO4 X 8MM	2
25	578-416-000	(000000- )	Key, Square, .125" X .125" X .50"	1
26	578597	(000000- )	Plug, Brush, Driver	1
27	578-163-000	(000000- )	Mount, Bearing	1
28	200-634-016	(000000- )	Nut, Hex, MO6, SS	4
▽	578-801-000	(000000- )	Removable Brush Arm Assy	1
▲	578-415-000	(000000- )	Bearing, Ball	2
▲	578-138-000	(000000- )	Seal, Oil, Bearing, .94"ID, 1.31"OD	2
▲	578-111-000	(000000- )	Plug, Brush, Idler	1
▲	578577	(000000- )	Arm, Brush, Removable	1
▲	578-156-000	(000000- )	Knob, Removable Arm	1
▲	578-249-000	(000000- )	Screw, Socket Hd, .38"-16 X 1.50", ZP	1
▲	578-261-000	(000000- )	Washer, Belleville, .31", .83", ZP	2
▲	578-102-000	(000000- )	Ring, Retaining, Internal	1
▲	578717	(000000- )	Screw, Hex Hd, MO8 X 25MM	2
▲	578-251-000	(000000- )	Cap, Bearing, Brush	1
▲	578579	(000000- )	Spacer	1
▲	578580	(000000- )	Screw, Hex Hd, M6 X 35	1
▲	578728	(000000- )	Washer	1
42	578-273-000	(000000- )	Fitting, Elbow, 1.25 Hose, 0.25"NPT	1
43	578-240-000	(000000- )	Screw, Flat Hd, Phil, M04 X 30MM, ZP	3
44	200-315-017	(000000- )	Washer, Flat, 6.4MM, 18.0, 1.5	4
45	578-434-000	(000000- )	Clamp, Hose-Extravac™	1
46	578-823-000	(000000- )	Hose, .25"ID	1
47	575-500-000	(000000- )	Clamp, Hose, Ideal 62606, .31 - .89	1
48	578-822-000	(000000- )	Hose, .50"ID	1
49	578-304-000	(000000- )	Grommet, 13.2MM ID	1
50	578-161-000	(000000- )	Clamp, Hose, 8-11MM OD, Crimp	1
51	200-370-019	(000000- )	Washer, Lock, Int, 8.4ID, D6797	6
52	575-520-000	(000000- )	Quick Connect, F 3/8" X 1/4"MPT	1
53	578-298-000	(000000- )	Washer, Flat, .64", .87", .031", SS	1
54	578-274-000	(000000- )	Fitting, Coupling, 0.25"NPT Brass	1

**Fig. 2 - Tank Group**



06411

Key	Tennant Trend Part Number	Machine Serial Number	Description	Qty.
▽	578-802-000	(000000- )	Drain Hose Assy	1
▲ 1	621-324-000	(000000- )	Plug, Expansion 1-5 Dia Nylon	1
▲ 2	578-031-000	(000000- )	Hose, Drain	1
▲ 3	578-428-000	(000000- )	Clamp, Hose, Ideal 6428, 1.32-2.2	1
▲ 4	578441	(000000- )	Strap, Drain Hose	1
5	069-760-096	(000000- )	Screw, Button Head, M8 X 10MM	3
6	578-533-000	(000000- )	Washer	2

## STANDARD PARTS

Key	Tennant Trend Part Number	Machine Serial Number	Description	Qty.
7	603-327-000	(000000- )	Latch	1
8	603-001-000	(000000- )	Tank	1
9	603-002-000	(000000- )	Hood	1
10	200-031-500	(000000- )	Screw, Hex Hd, M08 X 45	2
11	069-760-079	(000000- )	Washer, Plain, Ansi-A, .31" WD, ZP	10
12	603-069-000	(000000- )	Spacer, 1/2"ID, 5/8", 1-1/4"LG, ZP	2
13	603-312-000	(000000- )	Baffle Assy, Hood	1
14	603-318-000	(000000- )	Gasket, 102 OD X 74 ID, Vac Fan	1
15	603-319-000	(000000- )	Motor, Vacuum, Assy (See Breakdowns)	1
16	603-016-000	(000000- )	Bracket, Vac Motor	1
17	200-315-017	(000000- )	Washer, Flat, 6.4MM, 18.0, 1.5	6
18	200-370-017	(000000- )	Washer, Lock, Int. 6.4 ID,D6797	4
19	578-321-000	(000000- )	Screw, Pan, Phil, M6 X 16, ZP	6
20	603-043-000	(000000- )	Decal, Left and Right Side	1
21	578-258-000	(000000- )	Screw, S-Tap, #10 X 5/8", PH, Pan, ZP	4
22	603-225-000	(000000- )	Decal, Hood, Wire, Fill, Warning	1
23	069-762-020	(000000- )	Washer, Finish, Black, M06	1
24	578-230-000	(000000- )	Shim, 95.0MM 70.0MM, 20Ga., ZP	2
25	578-012-000	(000000- )	Caster, 6"Dia.	2
26	200-031-487	(000000- )	Screw, Hex Hd, M8 X 18MM	9
27	621-139-000	(000000- )	Fitting Bulkhead 1 NPT	1
28	578-014-000	(000000- )	Filter, SRS, 100 Mesh	1
29	578-035-000	(000000- )	Fitting, Nipple, 1"NPT X Close	1
30	578-034-000	(000000- )	Fitting, Elbow, 1"NPT, Street	1
31	578-036-000	(000000- )	Fitting, Bushing, 1"MPT X 3/4"FPT	1
32	578-037-000	(000000- )	Fitting, Elbow, 0.50" Hose, 0.75"	1
33	578-162-000	(000000- )	Clamp, Crimp	1
34	578-229-000	(000000- )	Decal, Read Manual	1
35	578-725-000	(000000- )	Decal, Brush Pressure Adjustment	1
36	200-370-019	(000000- )	Washer, Lock, Int., 8.4	8
37	621-277-000	(000000- )	Fitting, Straight, 1.5 Hose X 1.25NPT	1
38	603-009-000	(000000- )	Screen, Vac Fan	1
39	578-410-000	(000000- )	Float	1
40	578-411-000	(000000- )	Rod, Float Guide	1
41	603-801-000	(000000- )	Gasket	1
42	603-317-000	(000000- )	Fastener, Ratchet, Hood	1
43	603-315-000	(000000- )	Valve, Flap, Hood	1
44	603-802-000	(000000- )	Gasket	1
45	059-650-319	(000000- )	Spacer, 9.5MM, Nylon	1
46	578-427-000	(000000- )	Stand off, Terminal	1
47	069-760-085	(000000- )	Washer, Lock, SPG, Ansi, .25" ZP, .06	2
48	069-762-115	(000000- )	Screw, Hex Hd, .25-20 UNC X 0.50"	6
49	059-650-595	(000000- )	Nut, Hex, .25-20 UNC	4
50	603-724-000	(000000- )	Decal, Mode Selection	1
51	578-272-000	(000000- )	Switch, Rocker, SPDT	1
52	603-029-000	(000000- )	Fuse, 5AMP, AGC, Fast Actong	2
53	603-103-000	(000000- )	Fuse, 20A, 3AG, Slow-Blow	1
54	603-003-000	(000000- )	Panel, Weldt, Rear	1
55	578-418-000	(000000- )	Fuseholder, Bayonette	3
56	603-008-000	(000000- )	Contactora, 24 VDC, 100A, SPNO	2
57	578-822-000	(000000- )	Hose, .50" ID	1
58	603-722-000	(000000- )	Decal, Fuse	1
59	603-323-000	(000000- )	Bracket, Caster	1
60	200-160-017	(000000- )	Nut, Hex, M8	1

Fig. 3 - Transport System

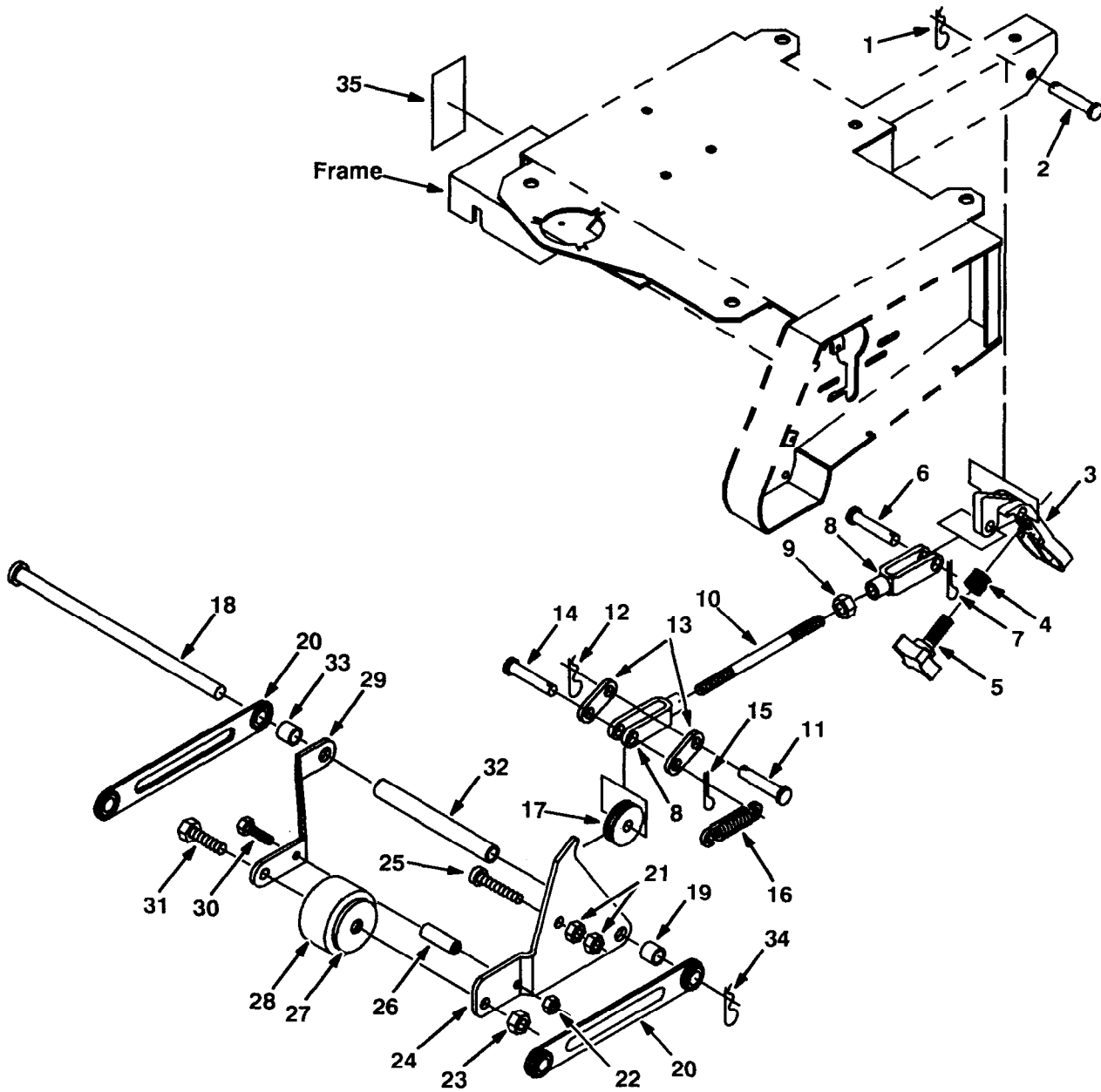


Fig. 3 - Transport System

Key	Tennant Trend Part Number	Machine Serial Number	Description	Qty.
1	612-254-000	(000000-	Pin, Hair Pin, 38"Dia Shaft	1
2	601-103-000	(000000-	Pin, Clevis, .38 X 1.75" Lg.	1
3	578-135-000	(000000-	Pedal, Transport	1
4	578-140-000	(000000-	Spring, Compression, 1.00", 0.66", .049	1
5	578-139-000	(000000-	Knob, Foot Pedal, Male	1
6	578-158-000	(000000-	Pin, Clevis, .38"Dia. X 0.90"EFF, ZP	1
7	578-420-000	(000000-	Pin, Cotter, .09"Dia X .75 Lg.	1
8	578-085-000	(000000-	Yoke, Adjustable, 3/8-24 UNF, -2B-RH, ZP	2
9	578-242-000	(000000-	Nut, Hex Jam, .38-24 UNF, ZP	1
10	603-132-000	(000000-	Rod, Transport, 230MM, 3/8-24	1
11	578-202-000	(000000-	Pin, Clevis, .38"Dia. X 1.50" Lg.	1
12	612-254-000	(000000-	Pin, Hair Pin, 38"Dia Shaft	1
13	578-129-000	(000000-	Transport Wheel Arm	2
14	578-231-000	(000000-	Pin, Clevis, 38"Dia. X 2.00"Lg	1
15	578-421-000	(000000-	Pin, Cotter, 12"Dia. X 1.00"Lg	1
16	578-425-000	(000000-	Spring, Extension, .63", 3.00, .63	1
17	578-130-000	(000000-	Cam, Transport Wheel	1
18	578-220-000	(000000-	Transport Pin	1
19	578-217-000	(000000-	Spacer, 13.8MM ID X 21.3 OD X 14.7MM Lg	1
20	578-104-000	(000000-	Arm, Brush Wrap	2
21	578-194-000	(000000-	Nut, Lock, MO4, SS	2
22	069-762-303	(000000-	Nut, Hex Lock, MO6, SS	1
23	578-207-000	(000000-	Nut, Hex Lock, .38-16, SS	1
24	578-136-000	(000000-	Left Arm, Transport	1
25	578-243-000	(000000-	Screw, Pan Hd, Phil, M4 X 20 DIN985A,ZP	1
26	578-137-000	(000000-	Spacer, 6.4 ID X 12.7 OD X 39.7 Lg., ZP	1
27	578-116-000	(000000-	Guard, Thread Wheel	2
28	603-115-000	(000000-	Wheel, Transport	1
29	578-128-000	(000000-	Right Arm, Transport	1
30	578-208-000	(000000-	Screw, Hex Hd, M6 X 55DIN 933, SS	1
31	578-206-000	(000000-	Screw, Hex Hd, .38-16, 2.50", SS	1
32	578-219-000	(000000-	Spacer, 13.8 ID, 21.3OD, 140MM Lg	1
33	578-218-000	(000000-	Spacer, 13.8MM ID, 21.3MM OD X 8.6MM Lg	1
34	578-419-000	(000000-	Pin, Hair Pin, .50"Dia Shaft	1
35	578-269-000	(000000-	Decal, Moving Parts	1

Fig. 4 - Squeegee Head Group

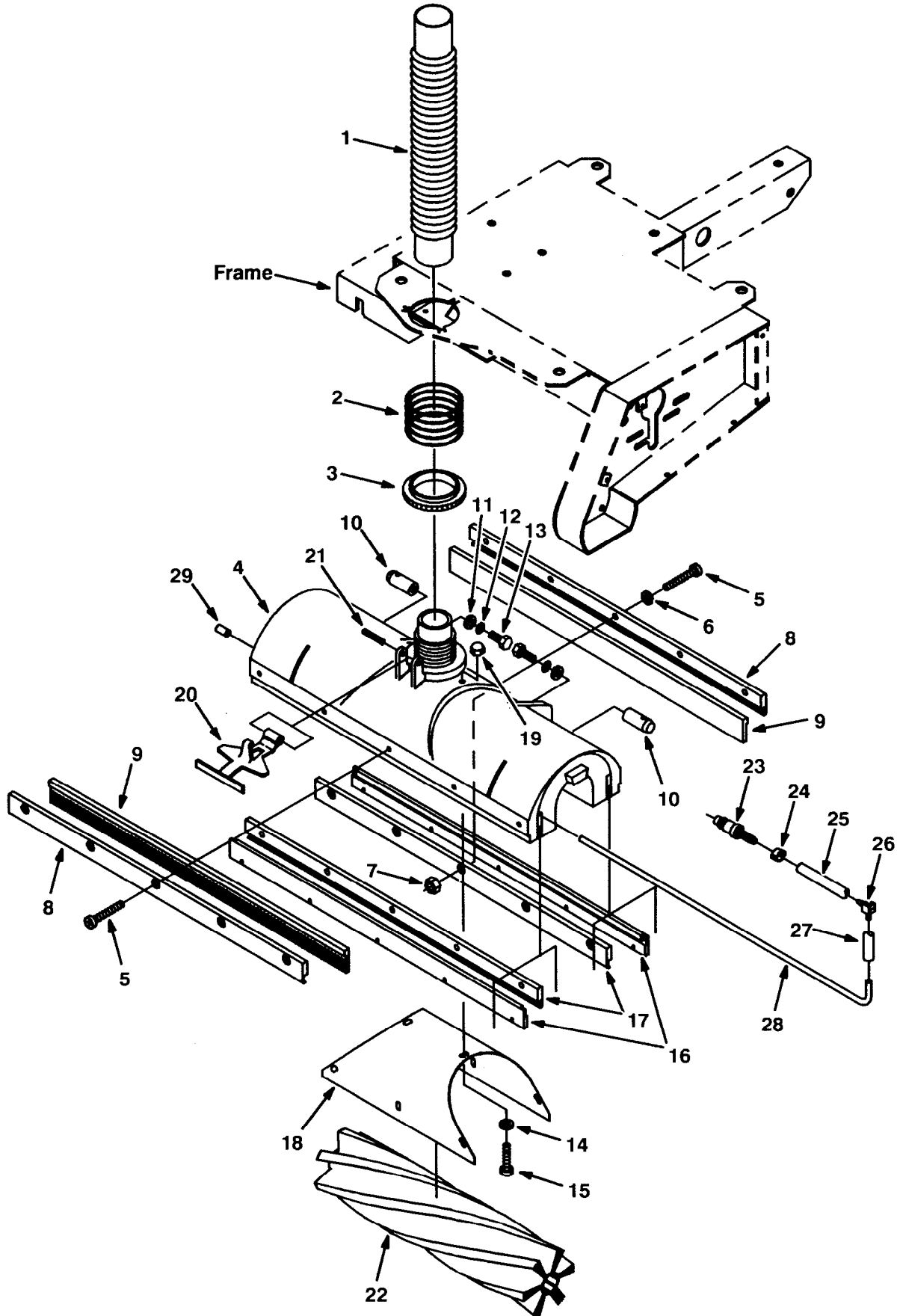


Fig. 4 - Squeegee Head Group

Key	Tennant Trend Part Number	Machine Serial Number	Description	Qty.
1	603-021-000	(000000-	Hose Squeegee Brush Head, Dia. 38.1	1
2	578-127-000	(000000-	Spring, Down Pressure Head 2.5"	1
3	578-122-000	(000000-	Nut, Knurl, 1-13/16 UNC, Special	1
▽	578-803-000	(000000-	Scrubber Head Assy	1
▲	578-101-000	(000000-	Head, Scrubber	1
▲	578-193-000	(000000-	Screw, Pan Hd, Phil, M4 X 25DIN 7985, ZP	10
▲	200-370-014	(000000-	Washer, Lock, Int., 4.3 ID, D6797	10
▲	200-633-014	(000000-	Nut, Hex, MO4, SS	10
▲	578591	(000000-	Squeegee Blade Retainer, Gray	2
▲	578-106-000	(000000-	Squeegee Blade Outer	2
▲	578-216-000	(000000-	Pin, Scrub Head, SS	2
▲	200-370-019	(000000-	Washer, Internal Lock, 8.4 ID, D6797	2
▲	069-760-079	(000000-	Washer, Plain, Ansi-A, .31"Wd, ZP	2
▲	578-237-000	(000000-	Screw, Hex Hd, M8 X 18 DN933, SS	2
▲	578-195-000	(000000-	Washer, Flat, 4.3, .08, 9.0 D125AZP	2
▲	578-196-000	(000000-	Screw, Pan Hd, Phil, M4 X 10, SS	2
▲	578-107-000	(000000-	Squeegee Blade Inner	2
▲	578592	(000000-	Squeegee Blade Retainer	2
▲	578-119-000	(000000-	Inner Brush Wrap	1
▲	578-194-000	(000000-	Nut, Lock, MO4, SS	2
▲	579100	( xxxxxx-	Latch, Double Scrub	1
▲	579059	( xxxxxx-	Pin, Spring Lock	1
	578-112-000	(000000-	Brush, Cylindrical 17", Nylon	1
	578-318-000	(000000-	Fitting, QConn, Male, 3/8", 1/4" H	1
	578-161-000	(000000-	Clamp, Hose, 8-11MM OD, Crimp	1
	578-569-000	(000000-	Hose, .25" ID X .115M Lg.	1
	578-437-000	(000000-	Valve, Check, 1/4" X 1/4" Barb, 3 PSI	1
	578-571-000	(000000-	Hose, .25" ID X .030M Lg.	1
	578-055-000	(000000-	Manifold, Tube	1
	578-150-000	(000000-	Cap, Manifold End, 5.8MM ID	1

Fig. 5 - Battery Cable Group

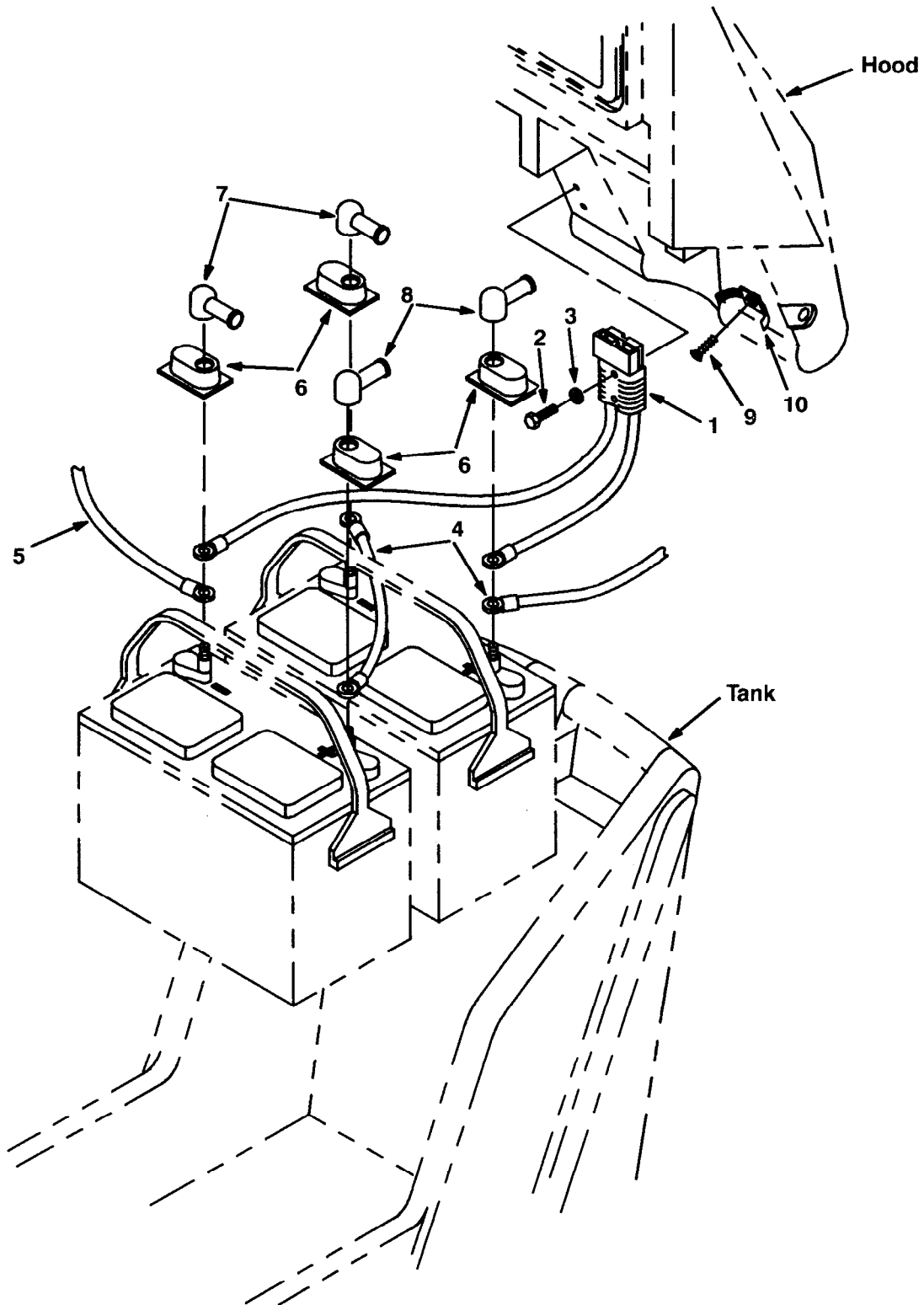


Fig. 5 - Battery Cable Group

Key	Tennant Trend Part Number	Machine Serial Number	Description	Qty.
1	603-062-000	(000000- )	Cable, Assy, Batt, W/Conn.	1
2	578-403-000	(000000- )	Screw, Pan Hd, Phil, M03 X 20MM	2
3	200-662-012	(000000- )	Washer, Lock, Int. 03.2 ID, D6798	2
4	603-061-000	(000000- )	Cable Battery, 6 Ga, 305MM, Red	2
5	603-060-000	(000000- )	Cable Battery, 6 Ga, 460MM, Black	1
6	611-223-000	(000000- )	Cover, Terminal	4
7	611-221-000	(000000- )	Cable Battery Terminal Boot, BL	2
8	611-222-000	(000000- )	Cable Battery Terminal Boot, RE	2
9	069-770-043	(000000- )	Screw	1
10	578-422-000	(000000- )	Clamp, Adjustable Wire	1

Fig. 6 - Console Cover

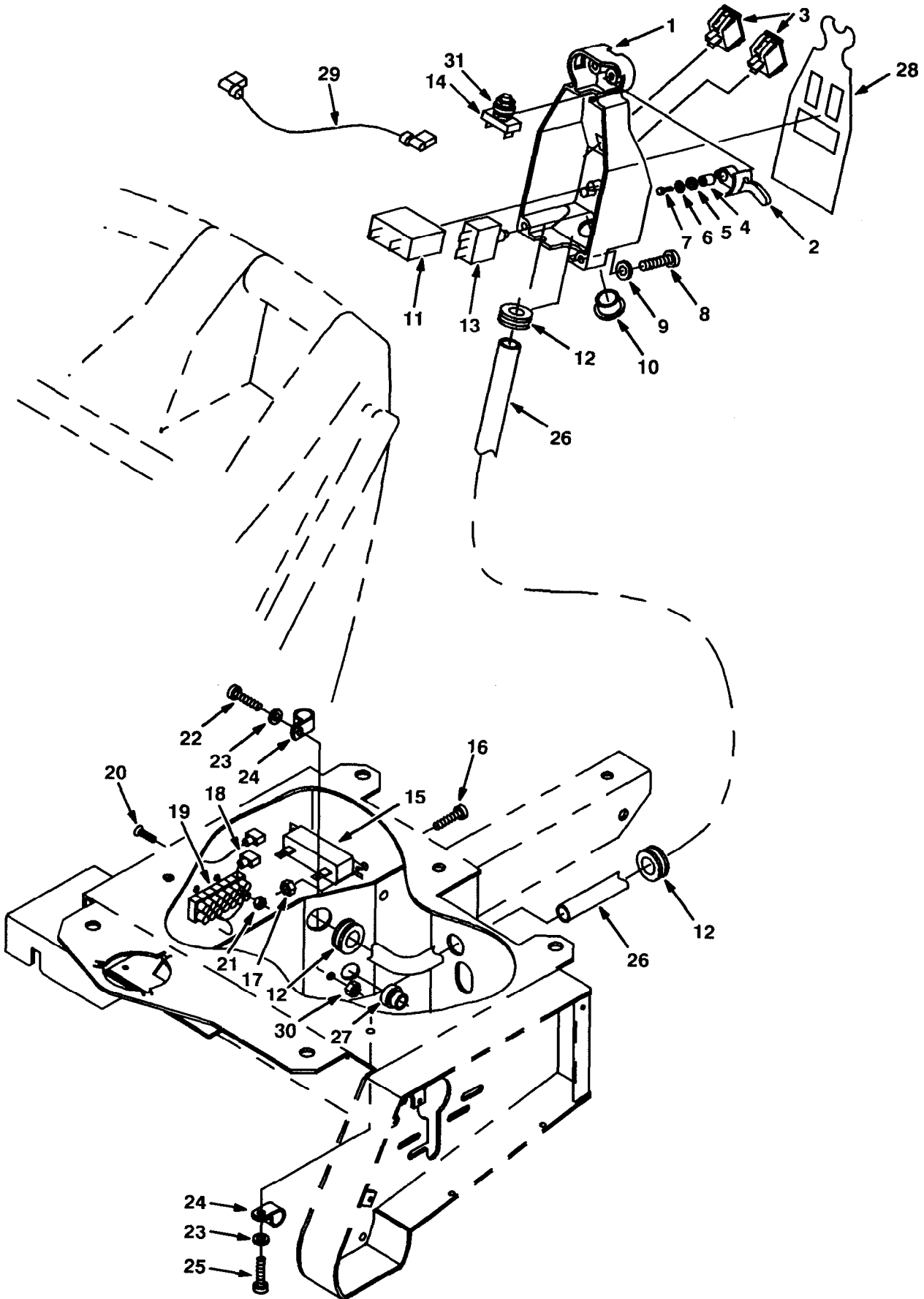
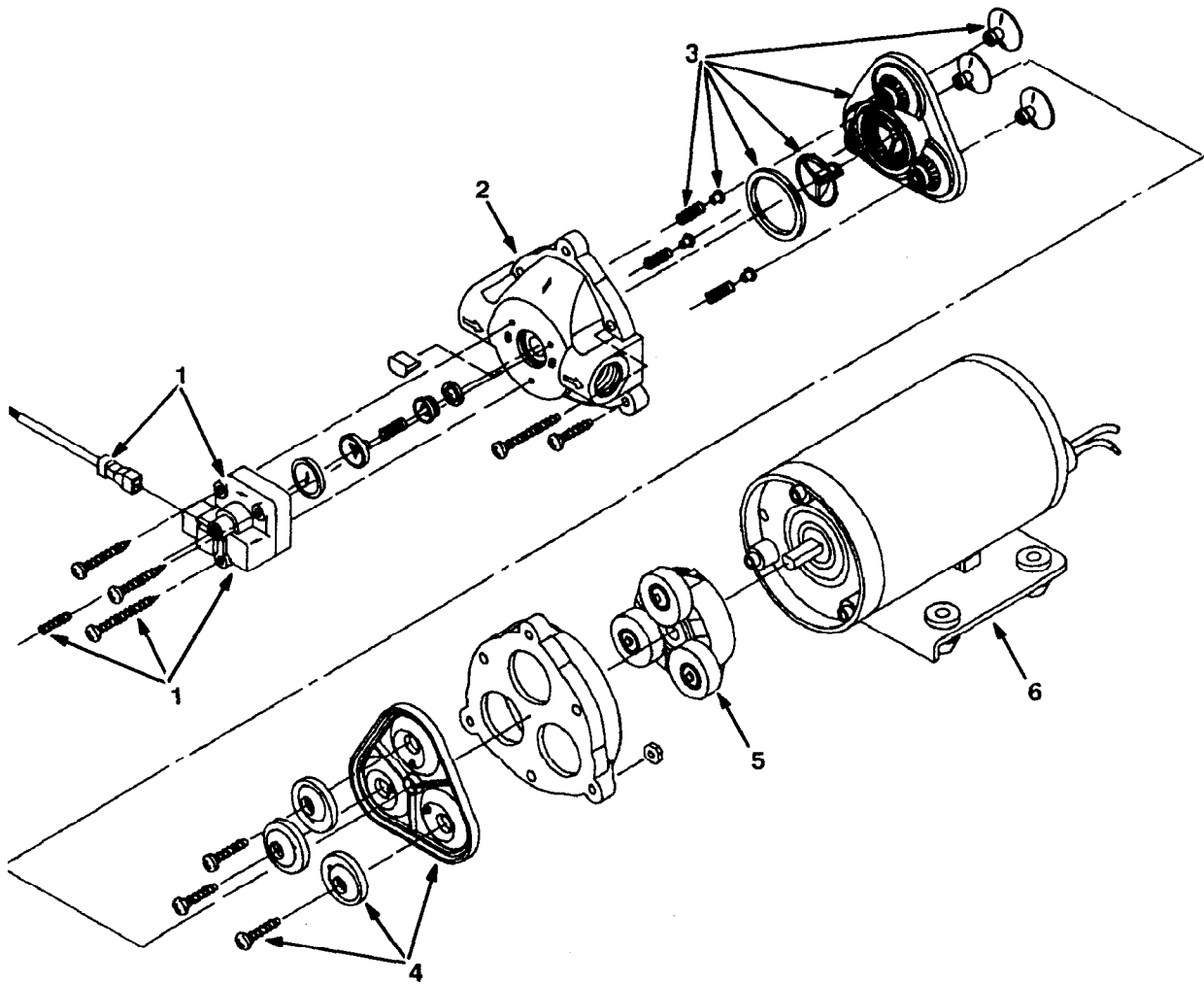


Fig. 6 - Console Cover

Key	Tennant Trend Part Number	Machine Serial Number	Description	Qty.
1	578-001-000	(000000- )	Cover, Console	1
2	578-002-000	(000000- )	Arm, Trigger	2
3	578-005-000	(000000- )	Switch, Rocker SPST	2
4	578-082-000	(000000- )	Spacer, Trigger	2
5	578-186-000	(000000- )	Washer, Flat, 4.3MM, 12.0, 1.0, ZP	2
6	200-662-012	(000000- )	Washer, Lock, Int., 3.2 ID, D6798	2
7	069-764-190	(000000- )	Screw, Hex Hd, M03 X 16	2
8	578-008-000	(000000- )	Screw, Pan Hd, 5 X 31.3, ZP	3
9	200-370-016	(000000- )	Washer, Lock, Int., 5.3 ID, D6797	3
10	603-079-000	(000000- )	Plug, Dome, .75" Dia, 12"W. THK	1
11	603-054-000	(000000- )	Gauge, Brush Pressure	1
12	578-009-000	(000000- )	Grommet, .50" ID, 0.81GD, .12"GW	3
13	603-058-000	(000000- )	Circuit Breaker, 14AMP	1
14	578-423-000	(000000- )	Switch, Pushbutton, SPNO	1
15	603-228-000	(000000- )	Resistor, 6.0 OHM, 40 Watts	1
16	578-141-000	(000000- )	Screw, Pan Hd, M5 x 10MM, SS	2
17	200-160-015	(000000- )	Nut, Lock, M05	2
18	578-255-000	(000000- )	Wire, Jumper, Black	1
19	578-013-000	(000000- )	Terminal Block, 7 Pos.	1
20	200-631-266	(000000- )	Screw, Flat Hd, Phil, M03 X 16MM, SS	2
21	059-654-062	(000000- )	Nut, Lock, M03, SS	2
22	200-070-343	(000000- )	Screw, Pan Hd, Phil, M04 X 12MM	1
23	578-195-000	(000000- )	Washer, Flat, 4.3, .08, 90 D125AZP	2
24	578-256-000	(000000- )	Clamp, Cable, .44"ID	2
25	200-070-340	(000000- )	Screw, Pan Hd, Phil, M04 X 8MM	1
26	603-059-000	(000000- )	Wire Harness	1
27	578-324-000	(000000- )	Strain Relief, Motor Leads	1
28	578-753-000	(000000- )	Decal, "Console"	1
29	603-075-000	(000000- )	Wire Assy, 12 Ga, 150MM FQC, Blk	1
30	578-194-000	(000000- )	Nut, Lock, M4, SS	1
31	578-430-000	(000000- )	Spring, Disc	1

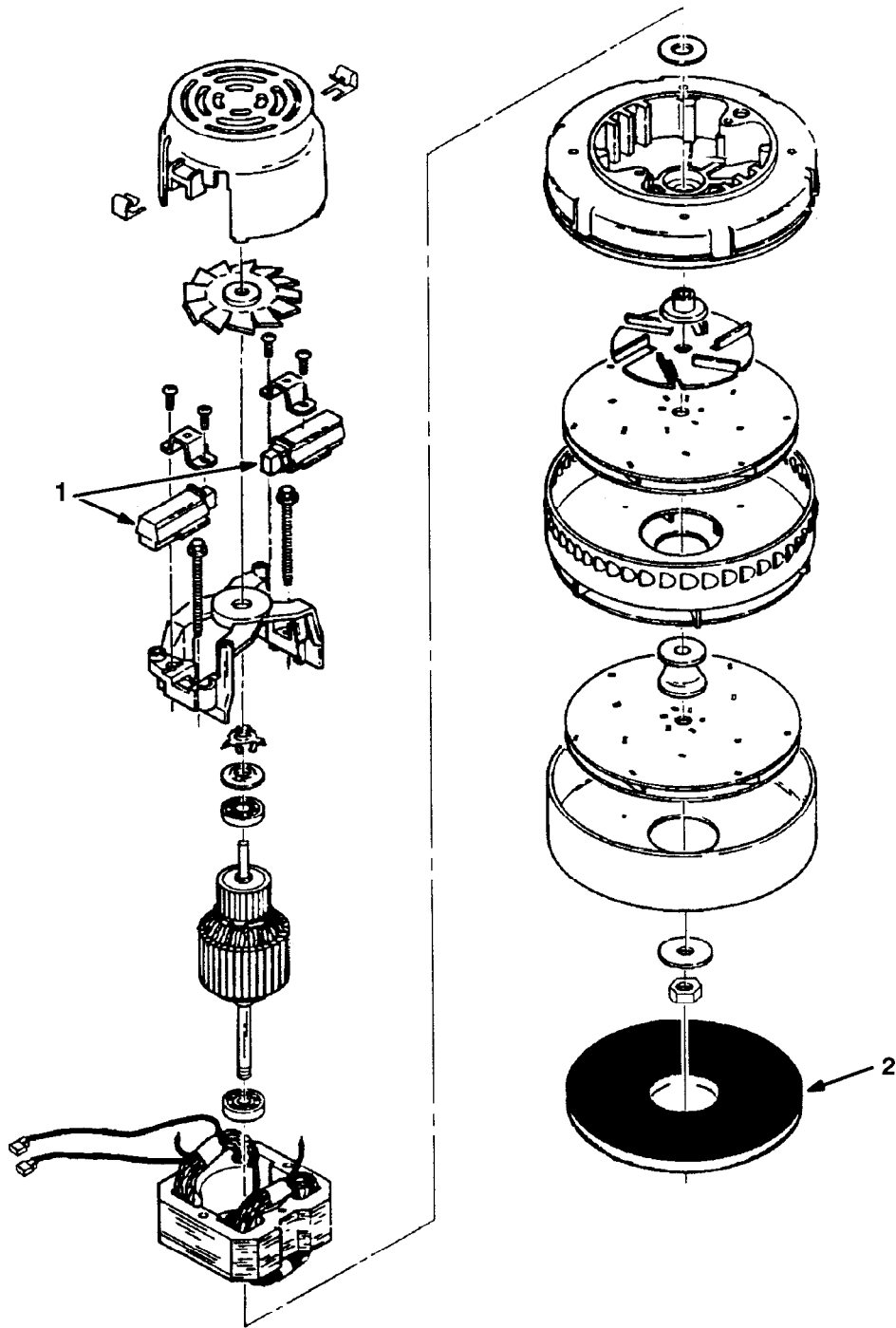
**Fig. 7 - Pump Motor**



06707

Key	Tennant Trend Part Number	Machine Serial Number	Description	Qty.
▽	603-320-000	(000000- )	Pump Motor Assy	1
▲ 1	578-812-000	(000000- )	Switch, Pressure	1
▲ 2	578-813-000	(000000- )	Upper Housing	1
▲ 3	578-811-000	(000000- )	Valves (Buna-N) 60 PSI Bypass	1
▲ 4	578-810-000	(000000- )	Diaphragm (Geolast)	1
▲ 5	578-809-000	(000000- )	Drive Assy - 2.0 CAM	1
▲ 6	603-800-000	(000000- )	24 VDC Motor	1

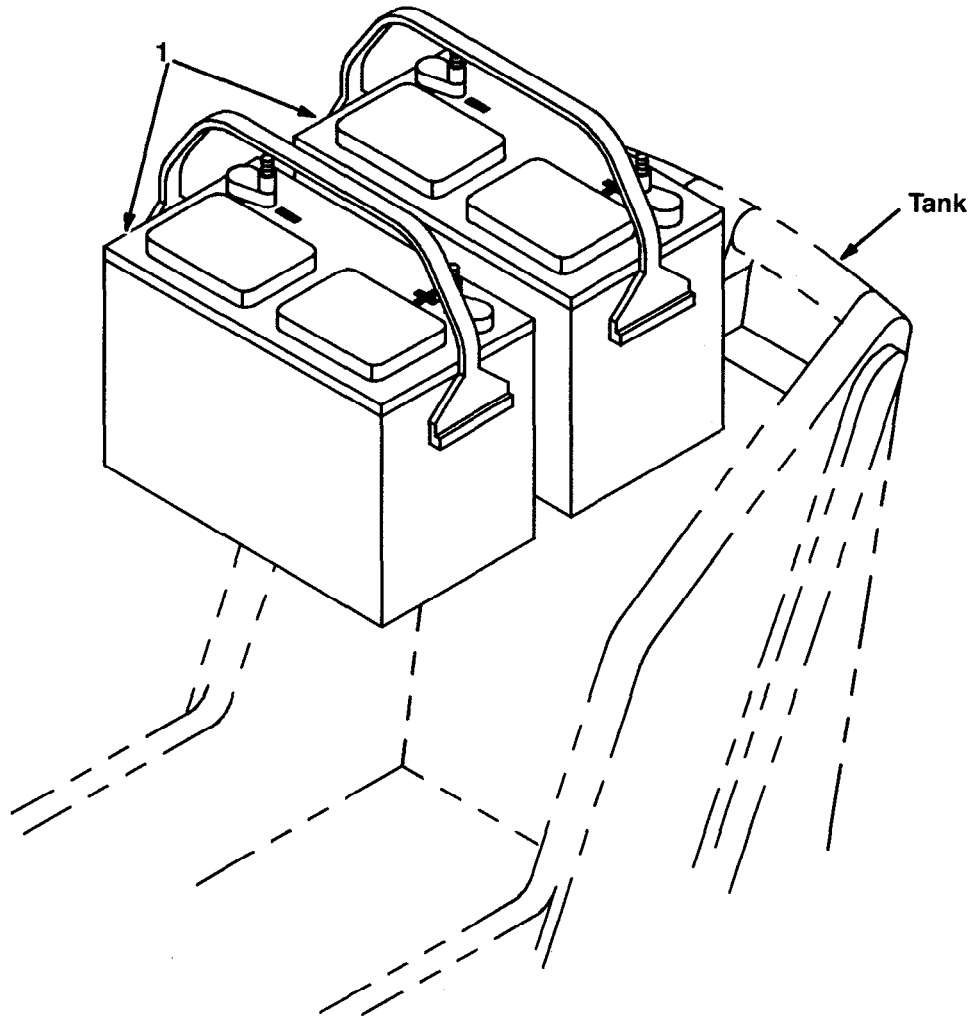
Fig. 8 - Vacuum Fan



06706

Key	Tennant Trend Part Number	Machine Serial Number	Description	Qty.
▽	603-319-000	(000000- )	Vacuum Fan Assy	1
▲ 1	603-803-000	(000000- )	Brush, Vac Fan Motor	2
▲ 2	603-318-000	(000000- )	Gasket, Foam, 102OD, 74ID	1

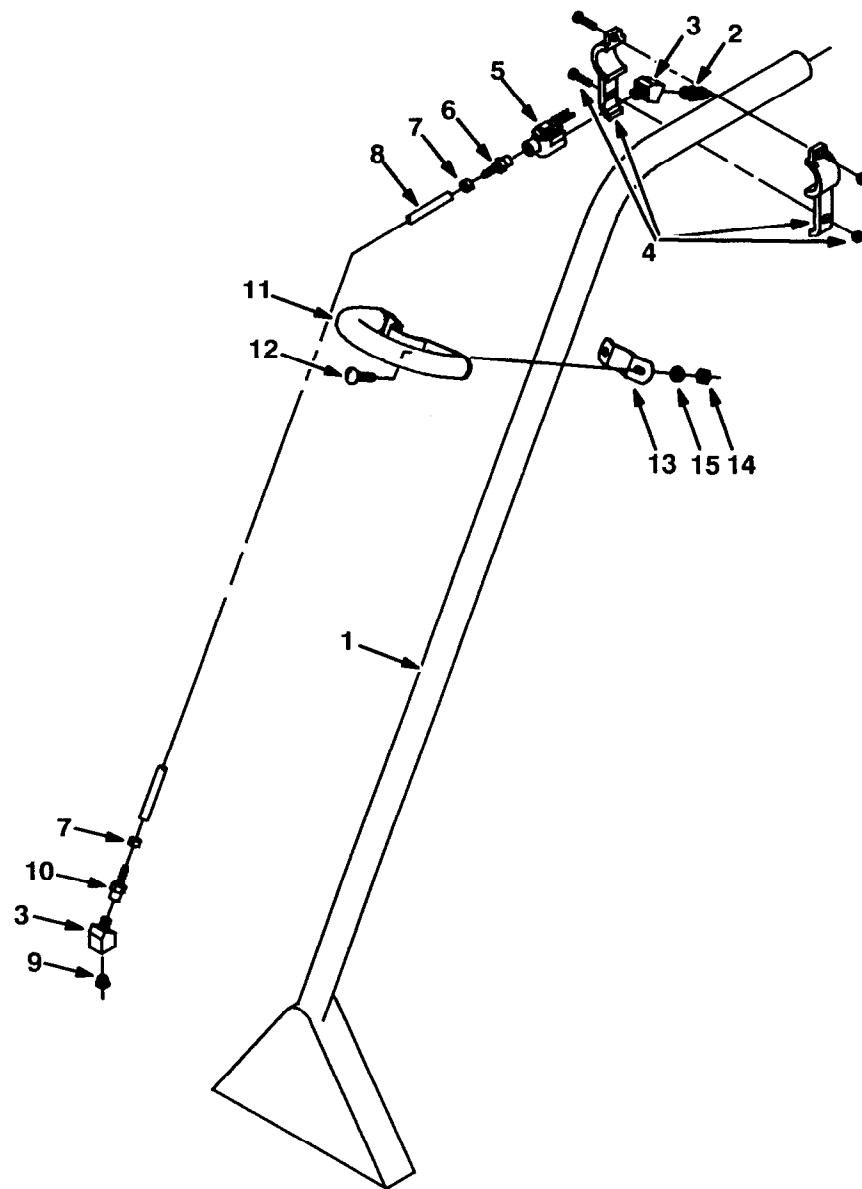
**Fig. 9 - Battery Group**



06569

Key	Tennant Trend Part Number	Machine Serial Number	Description	Qty.
1	578-426-000	(000000- )	Battery, 12 V, Marine Style Terminals, With Handles, (2 Required)	1
	603-065-000	(000000- )	Charger, Battery	1

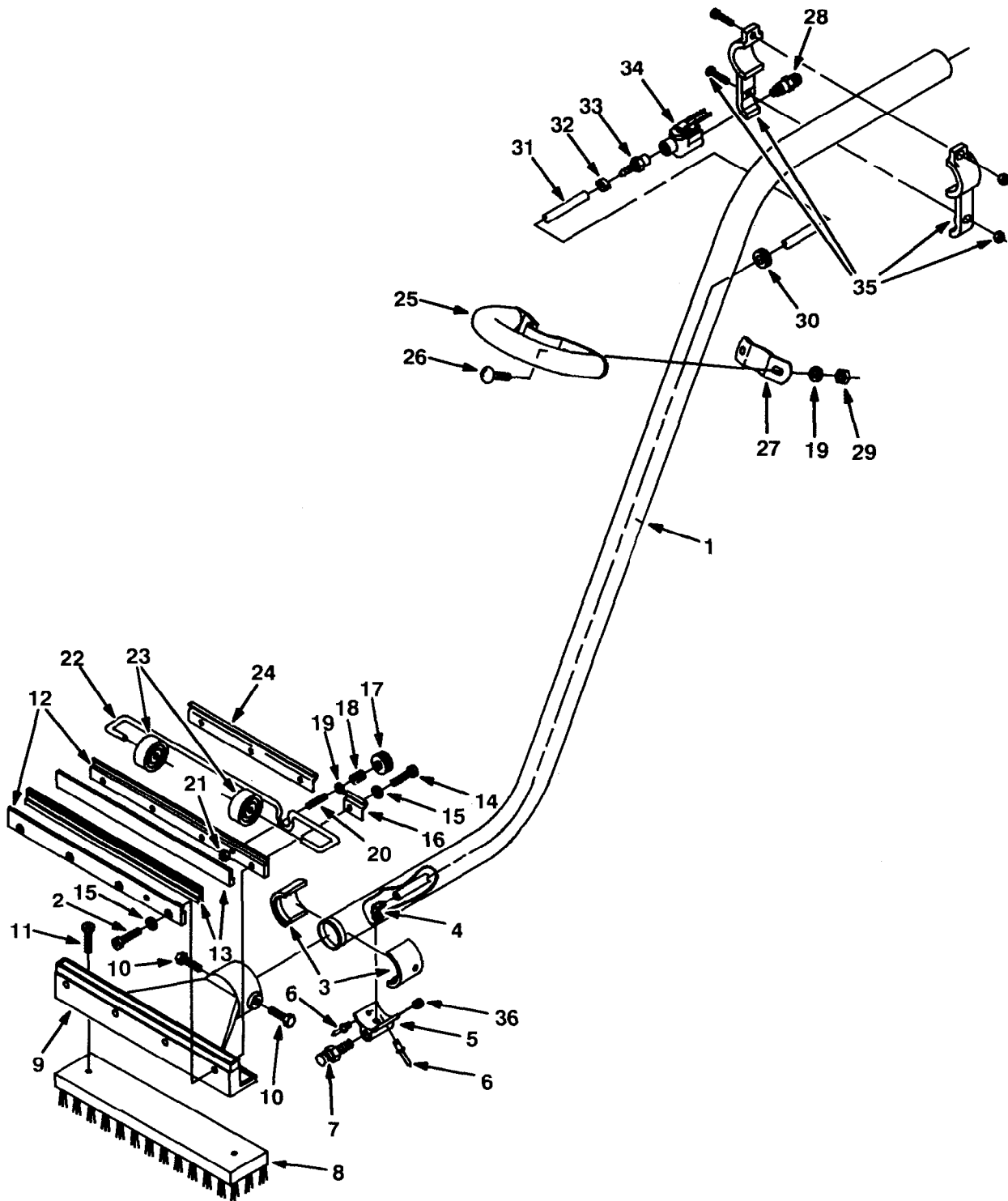
Fig. 10 - Carpet Wand



06194

Key	Tennant Trend Part Number	Machine Serial Number	Description	Qty.
▽ 1	575-905-000	(000000- )	Carpet Wand Assy	1
▲ 2	578-091-000	(000000- )	Plug, Quick Conn, 1/4"MPT	1
▲ 3	059-650-219	(000000- )	Elbow, Street, 1/4"MPT X 45Deg.	2
▲ 4	578-077-000	(000000- )	Bracket, Valve Mounting Wand	1
▲ 5	578-064-000	(000000- )	Valve, Water Control	1
▲ 6	578-094-000	(000000- )	Fitting, Hose Barb, 1/4" X 1/4"NPT	1
▲ 7	578-160-000	(000000- )	Clamp, Hose, 11-13MM OD, Crimp	2
▲ 8	575-523-000	(000000- )	Hose, 0.25"ID, 0.44"OD, Reinforced	1
▲ 9	575-529-000	(000000- )	Tip, Spray 11010, Quick-Jet	1
▲ 10	575-526-000	(000000- )	Fitting, Hose Barb, 1/4" X 1/4"FPT	1
▽	578-904-000	(000000- )	Handle, Assy	1
▲ 11	578-155-000	(000000- )	Handle, Wand	1
▲ 12	578-211-000	(000000- )	Screw, Car, .25-20unc, .75", ZP	2
▲ 13	578-154-000	(000000- )	Bracket, Handle, Wand	1
▲ 14	578-323-000	(000000- )	Nut, Hex Lock, .25 - 20UNC, Nylon INS	2
▲ 15	200-304-017	(000000- )	Washer, Flat, 6.4MM, 13.0, 1.6	3

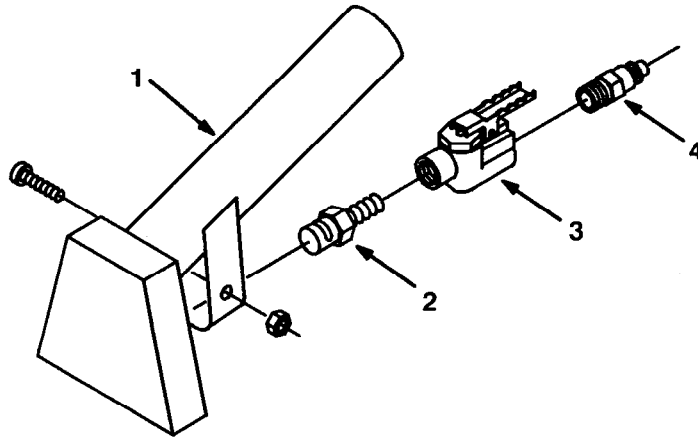
Fig. 11 - Hard Floor Wand



**Fig. 11 – Hard Floor Wand**

Key	Tennant Trend Part Number	Machine Serial Number	Description	Qty.
▽ 1	578-060-000	(000000- )	Wand Assy, Double Bend, Dia 38.1MM	1
▲ 2	578-144-000	(000000- )	Screw, Pan Hd., Phil, M5 X 16MM Lg., SS	4
▲ 3	578-061-000	(000000- )	Adapter, Head/Wand	2
▲ 4	578-214-000	(000000- )	Fitting, Elbow, 0.25"Hose, 0.12"NPT	1
▲ 5	579112	(000000- )	Adapter, Spray Nozzle	1
▲ 6	579198	(000000- )	Rivet, Pop, S-2500 Driveblock	2
▲ 7	578-066-000	(000000- )	Spray Nozzle, .125" NPT, 75 Deg.	1
▲ 8	578-073-000	(000000- )	Brush, Wand Attachment	1
▲ 9	578-063-000	(000000- )	Head, Wand	1
▲ 10	039-708-224	(000000- )	Screw, Truss, Phil, .25-20, 0.5", Z	2
▲ 11	621-336-000	(000000- )	Screw, S-Tap #10-16 X 3/4"Philips	2
▲ 12	578-078-000	(000000- )	Retainer, Squeegee Wand	2
▲ 13	578-074-000	(000000- )	Blade, Squeegee Wand	2
▲ 14	578-141-000	(000000- )	Screw, Pan Hd., Phil, M5 X 10MM Lg., SS	4
▲ 15	200-370-016	(000000- )	Washer, Lock, Int, 0.53ID	8
▲ 16	578-124-000	(000000- )	Bracket, Axle, 1-Hole	1
▲ 17	578-439-000	(000000- )	Nut, Thumb, MO6 X Dia 30MM	1
▲ 18	578-228-000	(000000- )	Spring, Compression, .63", .42", .04	1
▲ 19	200-304-017	(000000- )	Washer, Flat, 6.4MM, 13.0, 1.6	3
▲ 20	578-143-000	(000000- )	M6, 40mm Lg., Adjust. Stud	1
▲ 21	200-634-016	(000000- )	Hex Nut, M6	1
▲ 22	578-126-000	(000000- )	Axle, Wand	1
▲ 23	578-125-000	(000000- )	Wheel, Guide, Wand	2
▲ 24	578-123-000	(000000- )	Bracket, Axle, 3-Hole	1
▲ 25	578-155-000	(000000- )	Handle, Wand	1
▲ 26	578-211-000	(000000- )	Screw, Car, .25-20unc, .75", ZP	2
▲ 27	578-154-000	(000000- )	Bracket, Handle, Wand	1
▲ 28	578-091-000	(000000- )	Male Quick-Conn., 1/4"NPT	1
▲ 29	578-323-000	(000000- )	Nut, Hex Lock, .25-20UNC, Nyl. INS	2
▲ 30	578-164-000	(000000- )	Grommet, .38"ID, .63"OD, .06"OW	1
▲ 31	578-321-000	(000000- )	Hose, Solution, Wand	1
▲ 32	578-161-000	(000000- )	Clamp, Hose, 8-11MM OD, Crimp	2
▲ 33	578-094-000	(000000- )	1/4 Hosebarb, 3/8NPT Male Pipe	1
▲ 34	578-064-000	(000000- )	Valve, Water Control, Wand	1
▲ 35	578-077-000	(000000- )	Bracket, Valve Mounting, Wand	1
▲ 36	579148	(000000- )	Fitting, Plug	1

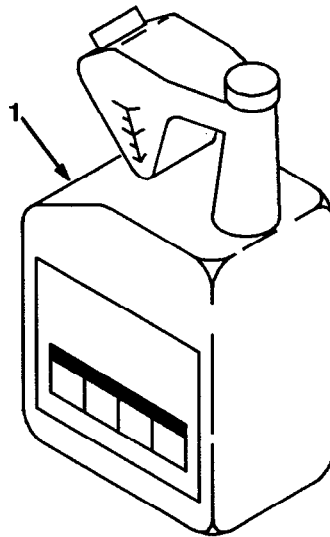
**Fig. 12 – Upholstery Tool**



06195

Key	Tennant Trend Part Number	Machine Serial Number	Description	Qty.
▽ 1	575-584-000	(000000- )	Upholstery Tool Assy	1
▲ 2	575-519-000	(000000- )	Nozzle	1
▲ 3	578-064-000	(000000- )	Valve, Water Control	1
▲ 4	578-091-000	(000000- )	Plug, Quick Connect, 1/4"MPT	1

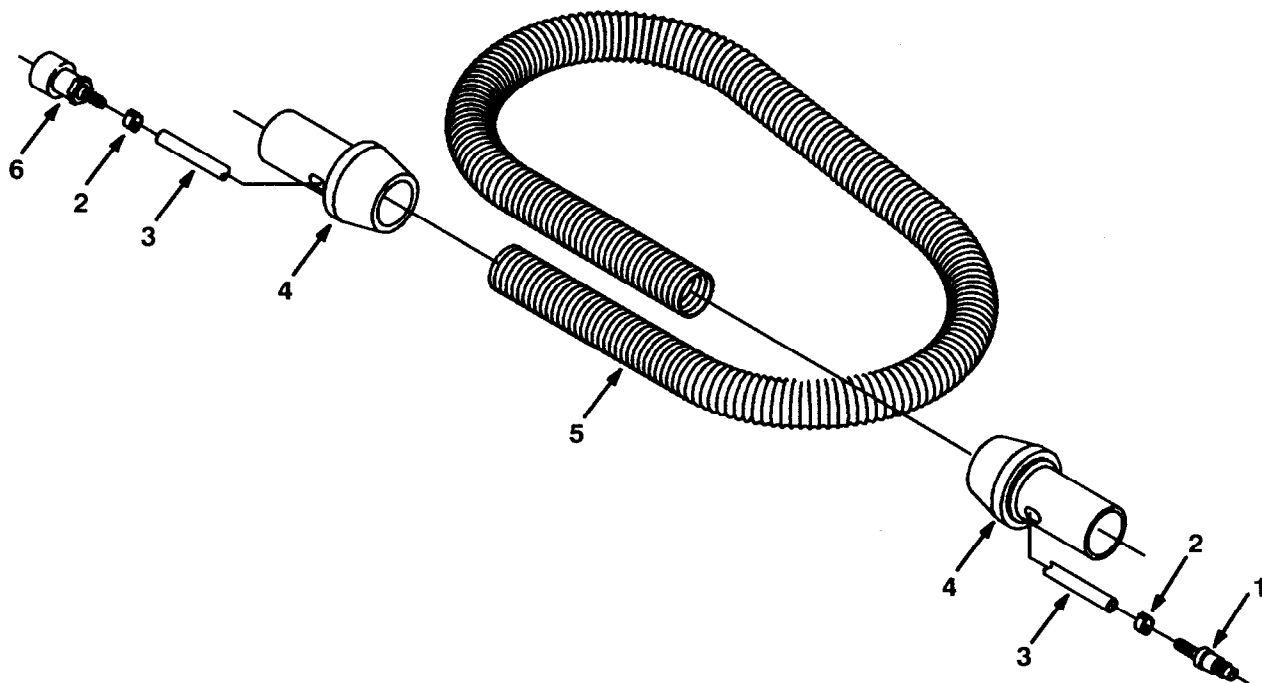
**Fig. 13 – Detergents**



06614

Key	Tennant Trend Part Number	Machine Serial Number	Description	Qty.
1	575-547-000	(000000- )	Carpet Cleaning Detergent, Extravac™ (Case of 4 -1 gal (3.8 L) Bottles) For Cleaning Carpet And Upholstery With The Optional Carpet Wand And Upholstery Tool.	1
1	578-825-000	(000000- )	Detergent, Drynamic™ (Case of 4 -1 gal (3.8 L) Bottles) For Degreasing And General Purpose Cleaning Of Hard Floors With The Machine Or Optional Wand.	1

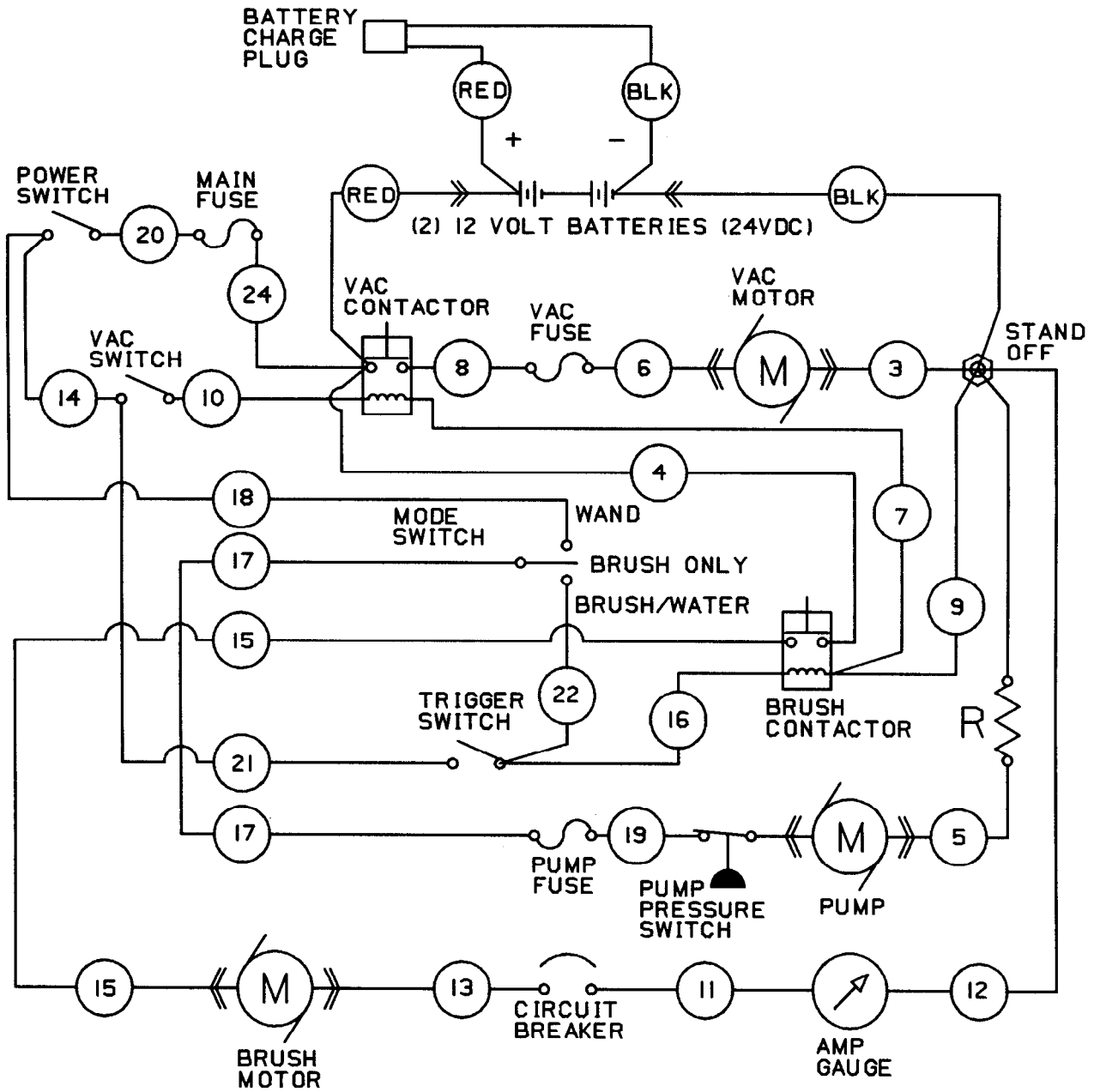
Fig. 14 - Hose Assembly



06197

Key	Tennant Trend Part Number	Machine Serial Number	Description	Qty.
▽	578-903-000	(000000- )	Hose Assy	1
▲ 1	578-318-000	(000000- )	Fitting, Quick Conn, Male, .375", 1/4"H	1
▲ 2	578-160-000	(000000- )	Clamp, Hose, 11-13MM OD, Crimp, SS	2
▲ 3	578-820-000	(000000- )	Hose	1
▲ 4	578-072-000	(000000- )	Cuff, Swivel, 38.1 Dia., Black	2
▲ 5	578-276-000	(000000- )	Hose, Vac, Dia 38.1 X 3.05M, Grey	1
▲ 6	578-071-000	(000000- )	Quick Conn, Female, 1/4" X 1/4"H	1

Fig. 15 - Electrical Schematic



06612

# Castex®

**Castex Incorporated • A Tennant Company**

12875 Ransom Street • Holland, MI 49424 U.S.A.

1-800-522-7839 • 616-786-2330

Fax: 1-800-678-4240 • CUSTOMER SERVICE: 1-800-365-6625