

TURTLE VAC OWNER'S MANUAL



EDIC

1753 Blake Avenue □ Los Angeles, CA 90031-1006
(323)660-1635 □ (800) 338-EDIC □ Fax (323)667-0144

TURTLE VAC OWNERS MANUAL

WARNING!

DO NOT USE FOR WET PICK-UP
DO NOT USE FOR HAZARDOUS MATERIAL
USE ON 110-120 VOLT 60 HZ ONLY

IMPORTANT SAFETY INSTRUCTIONS

READ ALL INSTRUCTIONS
BEFORE USING THE TURTLE VAC

WARNING - To reduce the risk of fire,
electric shock, or injury:

1. DO NOT handle plug or machine or attachments with wet hands.
2. TURN OFF all controls before unplugging.
3. DO NOT unplug by pulling on cord. To unplug, grasp the plug -not the cord.
4. UNPLUG from outlet when not in use and before servicing.
5. DO NOT use outdoors, on wet surfaces, or for wet pick-up.
6. DO NOT pick up anything that is burning or smoking, such as cigarettes, matches, or hot ashes.
7. DO NOT use without dustbag and filter in place.

IMPORTANT SAFETY INSTRUCTIONS

- continued -

8. **DO NOT** use with damaged cord or plug. If machine is not working as it should, has been dropped, damaged, left outdoors, or dropped into water, return it to a service center before continuing to use it.
9. **DO NOT** pull or carry by cord, use cord as a handle, close door on cord, or pull cord around sharp corners or edges. Do not run machine or attachments over cord. Keep cord away from heated surfaces.
10. **DO NOT** use to pick up flammable or combustible liquids such as gasoline or use in areas where they may be present.
11. **DO NOT PUT ANY OBJECT INTO OPENINGS.** Do not use with any opening blocked; keep free of dust, lint, hair, and anything that may reduce air flow.
12. **KEEP** hair, loose clothing, fingers, and all parts of body away from openings and moving parts.
13. **USE** extra care when cleaning on stairs.
14. **USE ONLY** as described in this manual. Use only manufacturer's recommended attachments.
15. **CONNECT** to a properly grounded outlet only. See grounding instructions as follows:

GROUNDING INSTRUCTIONS

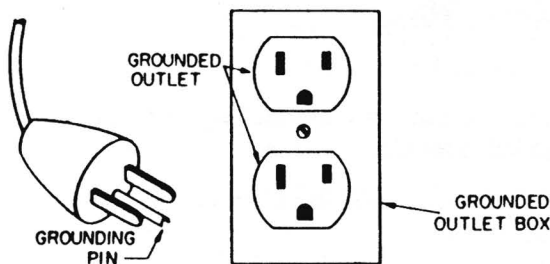
This machine must be grounded. If it should malfunction or break-down, grounding provides a path of least resistance for electric current to reduce the risk of electric shock. This machine is equipped with a cord having an equipment-grounding conductor and grounding plug. The plug must be plugged into an appropriate outlet that is properly installed and grounded in accordance with all local codes and ordinances.

IMPORTANT SAFETY INSTRUCTIONS

— continued —

DANGER - Improper connection of the equipment-grounding conductor can result in a risk of electric shock. Check with a qualified electrician or service person if you are in doubt as to whether the outlet is properly grounded. Do not modify the plug provided with the machine - if it will not fit the outlet, have a proper outlet installed by a qualified electrician.

This machine is for use on a nominal 120-volt circuit and has a grounding plug that looks like the plug in the sketch below. Make sure that the machine is connected to an outlet having the same configuration as the plug. No adapter should be used with this machine.



SAVE ALL OF THESE INSTRUCTIONS

BASIC OFFICE CLEANING INSTRUCTIONS USING THE TURTLE VAC CLEANING SYSTEM

1. Check the filter bag to make sure it is dry, empty and relatively clean.
2. Put on the TURTLE VAC as you would a vest, buckle the waist belt first and adjust it and the other straps to your body. There should be no weight on your shoulders.
3. Check to make sure the extension cord is hooked into the strain relief on the waist belt.
4. Check to see that you have all the attachments you will need for your job and that they are easily accessible (in the attachment bag).
5. The concept of cleaning with the TURTLE VAC is to clean using your eyes. Get all the visible dirt, floor to ceiling, but don't spend time cleaning surfaces that aren't dirty. You can choose what you feel is the most comfortable method of moving the floor tool. We recommend either a herringbone motion in front of you as you move forward or a mopping motion (side to side) as you walk backward. Part the wands to quickly clean corners and edges. Using the TURTLE VAC should be your exclusive job and other personnel should be assigned tasks like restrooms, windows, trash, ashtrays and telephones, etc. You should clean all surfaces that need it while you are right there in the area. Avoid retracing your steps to pick-up something you missed.
6. Pay more attention to being thorough at first rather than fast. Speed will increase as you get accustomed to using the TURTLE VAC. Also, as you clean the formerly hard to get places, they will require less daily attention and your speed will automatically increase.
7. Your "body area" has now increased with the addition of the TURTLE VAC to your back. Take time to get used to your new "territory" and be careful of bumping furniture, door jambs, and items on desks. Don't try turning around in narrow places like closets; instead, back out. After a few days your new "territory" will become subconscious, and you will seldom have to think about.
8. The TURTLE VAC relies on suction and airflow to perform well. Therefore, you should dump and shake out the bag every two hours or so. A small plastic garbage sack wrapped over the filter bag and closed tightly around your wrist will enable you to shake the bag out vigorously without dispersing dust.
9. Using your free hand, pull the cord along as you move to keep it from catching on furniture and corners. This will help preserve the fixtures in the building and the cord from damage. You can also use your free hand to move garbage cans and the like to clean underneath, pick-up debris too large to vacuum and rearrange furniture when you are finished in the area.
10. Carry the TURTLE VAC by the built-in handle - NOT by the hose or cord!
11. When you have finished cleaning your area, shake out the filter bag, remove and tap out the foam motor filter and wipe off the TURTLE VAC inside and out. Coil the cord by first unplugging it and start coiling it at the machine end so the cord can naturally untwist itself. Occasionally, you may have to wash out the foam motor filter or launder the filter bag if you accidentally pick up moisture that would clog the pores. A little regular daily maintenance will insure your TURTLE VAC giving you reliable service while increasing your productivity and the appearance of the area you clean.

INSTRUCTIONS FOR ASSEMBLY, USE AND MAINTENANCE OF YOUR TURTLE VAC VACUUM CLEANER

You have purchased the most efficient, convenient and cost effective tool available for doing any dry pick-up cleaning job in the least amount of time, i.e. carpeted and hard floor areas, baseboards, stairs, walls, ceilings furniture and any hard-to-get areas. As with any specialized tool, proper care should be taken to insure its service to you for many years. Please read and follow these instructions carefully before using your TURTLE VAC so you can take advantage of all its benefits.

To prepare your TURTLE VAC for use, carefully remove all the parts from the box. Remove all the cleaning tools and any packaging material from inside the vacuum. Be sure motor filter and cloth dust bag are in place.

USE OF THE TURTLE VAC AS A BACK PACK

To use the TURTLE VAC properly, face the back plate and put the harness on your back as you would a vest by grasping the right shoulder strap in your left hand and putting your right arm through the strap. Grasp the bottom of the case with your right hand and move the unit left so you can put your left arm through the other strap. Loosen the shoulder straps enough to allow the waist belt to be buckled around your waist. Buckle and tighten the waist belt around your waist first, then tighten the shoulder straps until they are comfortable, using all four adjustment points. **DO NOT** over-tighten shoulder straps; shoulders carry no weight.

If you have an attachment bag, clip it to one of the rings on the waist belt. Be sure the extension cord is hooked securely to the waist belt by the waist belt strain relief. When you are ready to remove the TURTLE VAC, simply reverse the process leaving bag and cord in place.

To attach the hose to the lid, press in the hose end while twisting it clockwise into the lid hole until it locks in place. To remove, twist counterclockwise. With the hose locked into the lid, bring the hose over your shoulder from the rear and tuck it between your arm and your body to keep it from catching on objects as you work. To put the wands or tools on the hose end, for the button lock wands, line the button on the upper wand with the hole in the lower wand and press together until the button "locks" in the hole. For friction fit wands and tools, push the wand or tool on and twist it 1/4 turn to lock it in place; part it in reverse manner. Use the "bleeder valve" on the bent wand to control suction for cleaning curtains, etc.

The TURTLE VAC will allow you to clean dirt wherever you see it, not just on the floor in the middle of the room. Try to look for dirt everywhere and clean where you see it. Don't waste time just going over the carpet whether it's dirty or not.

THE TURTLE VAC AS A WHEELED CANISTER

The same instructions apply to the TURTLE VAC as a wheeled canister except that you pull it around behind you instead of putting it on your back. The back pack harness is attached by four bolts into the machine (see diagram). If you have a combo vac (wheels and harness) you can remove the harness by unscrewing these four bolts. Be sure to keep track of the bolts and spacers to reattach the harness in the future.

IMPORTANT!

The TURTLE VAC is a high efficiency, super suction vacuum requiring a large volume of air to cool the motor. Be sure to keep all airways clear and free of debris to maintain airflow efficiency and low motor temperature. Pick up any large pieces of debris with your hand instead of trying to suck them up with the TURTLE VAC. If you should accidentally plug the hose with debris (you will notice a significant loss of suction), use a broom handle or like object to free the obstruction. Also, check the airway in your cleaning tool.

Sufficiently plugging the airway for an extended period will result in the vacuum shutting off to prevent its overheating. If this occurs, press the switch to turn the vacuum to its "OFF" position and wait about 5 minutes for the motor to cool to a safe operating temperature. Be sure to determine the cause of overheating and rectify the problem before using the TURTLE VAC again, or it will continue to overheat and shut off. In some instances, very fine dirt can plug the bag enough to cause the vacuum to shut off. We recommend you have a spare clean cloth bag on hand as a backup should this occur. You can switch bags and launder the dirty bag at your convenience. **DO NOT WASH OR DRY THE BAG IN HOT TEMPERATURES** (above 130 degrees F). Be sure the bag is thoroughly dry before using it.

DO NOT PICK UP LIQUID SUBSTANCES WITH THE TURTLE VAC as they will cake the bag and could cause electrical shock. If you **ACCIDENTALLY** pick up any liquid, wash and dry the bag immediately. Be sure the bag is **COMPLETELY** dry before using it again.

MAINTENANCE

Keep the TURTLE VAC clean inside and out and you will find it serves you well indefinitely. Always dump the bag after a maximum of 4 hours of use. If you are using a paper or HY-SURF bag inside the cloth bag, shake it out after every three to four hours of cleaning. Replace it should it develop any holes allowing dirt to escape. If you have vacuumed any material you don't want escaping into the atmosphere, leave the vacuum on while removing the lid and gathering the top of the HY-SURF bag to seal it off before removal from the vacuum for disposal.

Occasionally clean the foam motor filter by removing it from the motor, turning it upside down and tapping it firmly on a hard surface to release the fine dust. You remove the foam motor filter by lifting the plastic frame off the motor (under the dust bag). Replace by pushing the plastic frame firmly over the motor. At the same time you check the motor filter, check and clean the exhaust filter (see diagram) by removing the exhaust cover, unscrewing the thumb nuts holding it in place. Wash the exhaust filter in warm soapy water, shake it dry, and replace over the exhaust.

Be careful to check for fraying of the cord or any other problems that may occur after extended use. Parts are inexpensive and easy to replace, and correcting problems early will prevent more serious problems later. To store or carry the TURTLE VAC, wrap the cord **STARTING AT THE MACHINE END** (to prevent twisting) and secure it to the machine handle with the attached cord holder for safety and longer cord life. Carry the TURTLE VAC by the built-in handle - **NOT BY THE HOSE OR CORD**.

If you have any questions regarding the use and/or maintenance of the TURTLE VAC or how to further improve your cleaning efficiency, please contact your nearest representative or call toll free 1-800-338-EDIC. We want you to always be happy you chose the TURTLE VAC to improve the way you clean.

TURTLE VAC ONE YEAR LIMITED WARRANTY

Your TURTLE VAC vacuum cleaner is warranted to be free from defects in materials and workmanship. This warranty extends for a period of one year from the date of original purchase of the cleaner by the first consumer purchaser.

This warranty does not cover parts which require replacement in the ordinary course of use of the cleaner due to normal wear; these parts include: motor (after being used to end of its normal life), motor brushes, filter, dust bag, cleaning attachments, turbo power brush, and electric power head. This warranty also does not cover damage to or failure or malfunction of the cleaner as a whole, or any parts thereof, caused by improper or negligent use or abuse. Typical of abuse are:

- Rust and corrosion or other damage caused by moisture, chemicals or detergents.
- Any vacuum motor which has been disassembled, modified in any way, or upon which field repair has been attempted.
- Any vacuum showing physical abuse such as broken case parts, fraying cord or motor damage.
- An excess amount of dirt or foreign objects in motor indicating improper filtration.
- Paint, glue or other substances applied to vacuum or motor.
- Any motor where commutator wear indicates that the motor has been used to the full extend of its normal life, REGARDLESS OF THE DATE STAMP.

Repairs to the TURTLE VAC under warranty must be performed by an authorized warranty service station. If any unauthorized repairs are done to the TURTLE VAC, EDIC reserves the right to make sole determination as to whether or not the repairs are reimbursable and, also, if the warranty remains in force or is canceled by virtue of the unauthorized repairs.

In the event of a defect, malfunction or failure of any part covered under the warranty, return your TURTLE VAC cleaner to the appropriate authorized warranty service station or to:

EDIC
1753 Blake Avenue
Los Angeles, CA 90031-1006

Shipper must package the cleaner so that it will arrive free from freight damage and prepay all transportation costs to the warranty service station. The carrier, acting as customer's agent, assumes all responsibility including internal damage. Enclose **INSIDE OR SECURELY ATTACH TO THE MACHINE** the following information:

1. Shipper's name, address (including zip code) and phone number.
2. Proof of the date of purchase and serial number of the cleaner
3. Description of the problem.

Under normal conditions, the TURTLE VAC will be repaired and shipped out within 48 hours from the time it arrives at the warranty service station. The customer will not be charged for parts or labor to repair or replace any part of the TURTLE VAC which is under warranty. EDIC will pay transportation costs to return repaired cleaner to the customer.

SIX YEAR CASE WARRANTY

The TURTLE VAC polyethylene case is warranted to be free from defects in materials and workmanship for a period of six years from the original date of purchase of the cleaner by the first consumer purchaser. All requirements and limitations are the same as stated in the ONE YEAR LIMITED WARRANTY.

These are the sole warranties covering the TURTLE VAC vacuum cleaner. There are not other warranties, expressed or implied. This warranty gives you specific legal rights, and you may have other rights which may vary from state to state.

REPAIR INSTRUCTIONS

IMPORTANT! Always disconnect the power cord from the electrical supply before performing any maintenance on the TURTLE VAC.

The TURTLE VAC was designed not only to save time while in use but to save money by being easy and inexpensive to maintain. The simplicity of design makes for very few breakdowns, but if any part should require repair or replacement, it can be done quickly with simple tools. All parts are readily available so the TURTLE VAC can last indefinitely with minimal maintenance.

The tools necessary to replace any part on the TURTLE VAC are listed as follows:

1. Phillips head screwdriver, size 1
2. Socket wrench with 5/16", 11/32" and 1/4" sockets
3. Blade screwdriver, wide blade
4. Pliers
5. Adjustable wrench
6. Wire stripping/crimping tool

To access the bottom portion of the machine, remove the top lid and bag, turn the unit upside down, remove the four screws and pull the bottom off.

STUB CORD REPLACEMENT

Unfasten the wire ends using the pliers and undo the ground wire(s) -green (and blue if present) - from the motor frame using the phillips screwdriver. Be sure to identify the specific lead that each color wire was connected to. Unknot the cord and pull the cord out of the machine. To replace the cord, thread the flex protecting nut onto the new cord. Thread the cord through the strain relief and tighten the flex protecting nut FINGER TIGHT ONLY. Leave about 7" inside the machine and knot the cord against the inner wall. Reconnect the wire leads to the same wires they were originally hooked to.

MOTOR REPLACEMENT

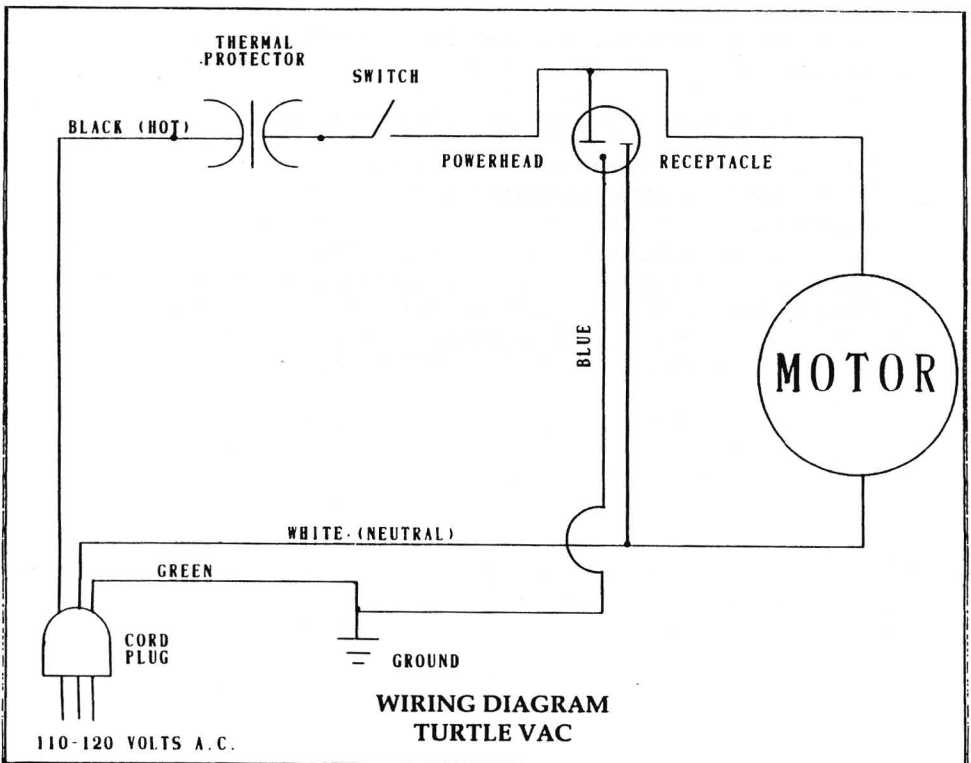
Remove the top lid, dust bag and motor filter from the top of the machine. Unfasten the wire ends using the pliers and undo the ground wire(s) - green (and blue if present) - from the motor frame using the phillips screwdriver. Using the 5/16" socket remove the four bolts holding the motor in place. Pull the motor out of the case by lining the notches up with the motor brushes.

Put the motor back into the machine by the reverse process. If you are putting in a new motor, be sure to stick a new motor gasket onto the motor (sticky side on the motor), lining up the respective bolt holes.

MOTOR BRUSH REPLACEMENT

The motor brushes can be replaced in the field. However, if done by a professional electrical motor repair shop, you will get longer life out of your motor because the new brushes can be "run in" in the proper way. To remove the motor brushes from the motor, simply disconnect the motor winding lead from the brush and use a 1/4" socket to undo the bolt holding the brush in place.

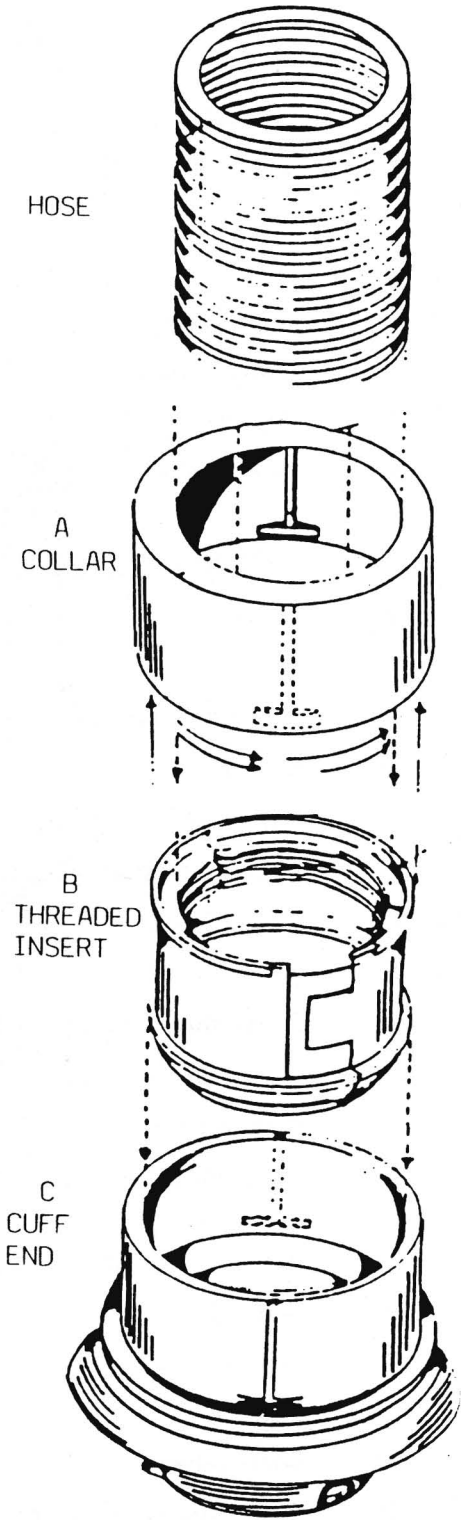
Replace the brushes by the reverse process, squeezing the brush into its plastic frame in order to position it easily. "Run in" the brushes by turning on the machine for 1/2 hour before using it to clean. The motor brushes should be replaced the first time after 500 hours of use. Each succeeding set of brushes will last only half as long as the preceding set due to wear of the armature.



**DO NOT Pre-assemble
then try to put onto hose.
Follow instructions.**

**INSTRUCTIONS
FOR
ASSEMBLING 3-PIECE SWIVEL
HOSE END and CURVED HOSE
END, PLASTIC ONTO HOSE FOR
USE WITH TURTLE VAC**

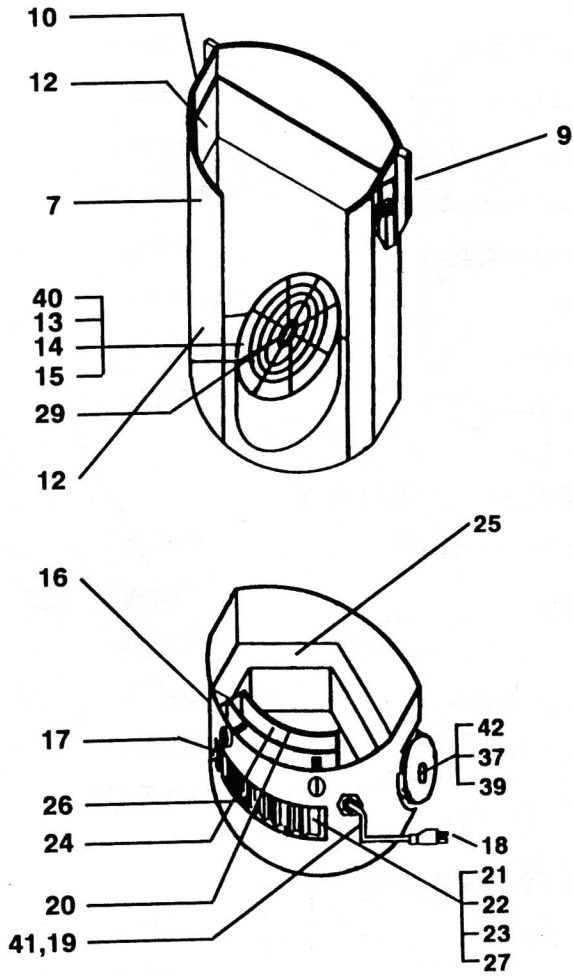
1. Put COLLAR A on hose (rolled end first) and slide up about 3".
2. Screw THREADED INSERT B - open end first - onto hose (counter clock-wise) until hose end is snug against INSERT shoulder.
3. Slide CUFF END C (or CURVED HOSE END) over INSERT B until INSERT is completely covered; hold in this position while lining up "T"s inside COLLAR A and start COLLAR over CUFF END (or CURVED HOSE END). It's a tight fit, but continue pushing COLLAR on until the matching "T"s lock into place.



**EDIC
Los Angeles, California**

PARTS LIST

	Description	Part #
LID ASSEMBLY		
1	Lid	F02499
2	Hose fitting	K00689
3	Right strike	D03389
4	Bumper, Latch	K00735
5	Pop rivet	C02266
6	Rivet washer	C02265
HOUSING ASSEMBLY		
7	Housing	F02500
8	Label, logo	H03567
9	Left latch assembly	D03390
10	Right latch	D03391
11	Powerhead Receptacle	B02204
12	Aluminum housing bracket	D03392
13	Motor, 2 stage	G02511
14	Motor gasket	E00438
15	Screw, thread cutting 10- 24 x 3/4	C02264
5	Pop rivet	C02266
6	Rivet washer	C02265
40	Motor mount bracket	D03393
END CAP ASSEMBLY		
16	End cap	F02501
17	Switch	B00197
18	Stub cord	B02206
19	Strain relief	B02205
20	Perforated aluminum plate	D03394



PARTS LIST (continued)

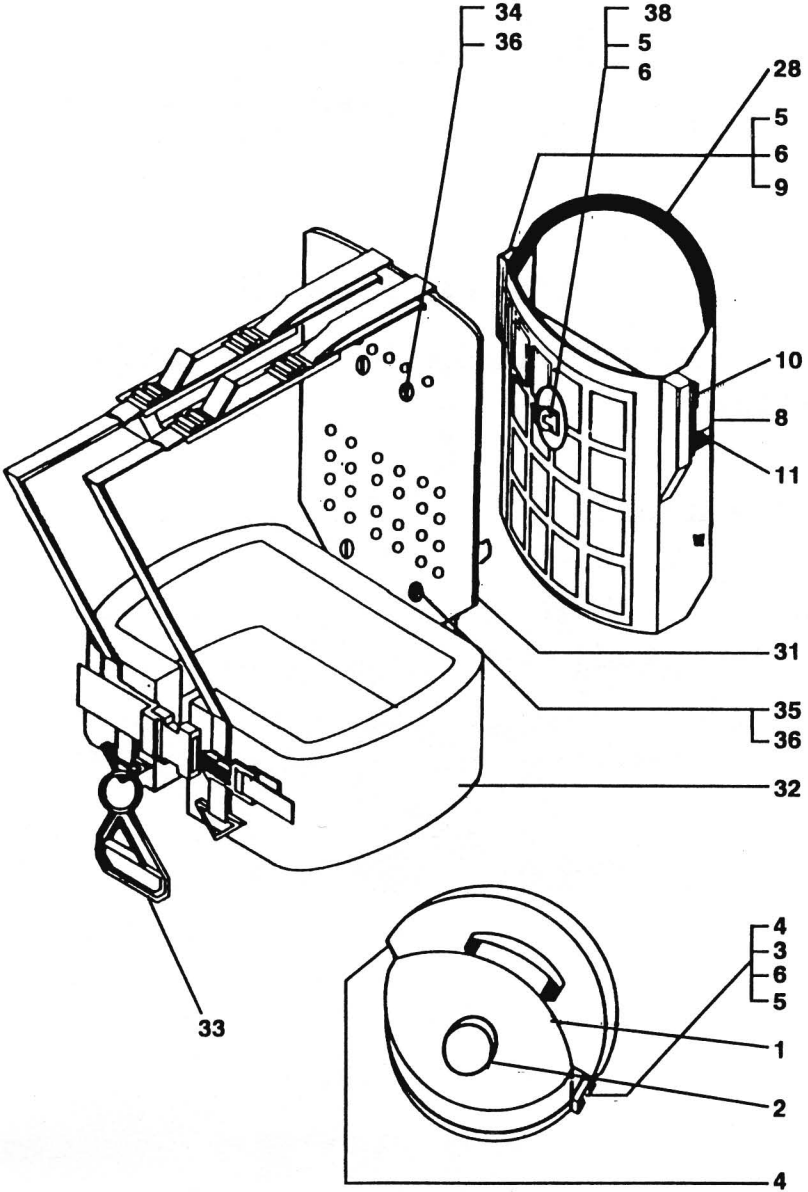
	Description	Part #
41	Strain relief nut	B02203
21	Screw, 8-32x1/4"	C02301
22	Spacer	K00667
23	Locknut, 8-32	C00278-8
24	Foam Difuser	L00803
25	Sound dampening foam	L00759-2
26	Louvered exhaust cover	D03395
27	Nut, thumb 8-32	C00294
28	Cloth bag	L00804
29	Motor filter	L00805
43	Screw, 5/16-18 X 1/2	C03230

HARNESS ASSEMBLY

31	Harness plate, HDPE	K00736
32	Harness	K00690
33	Belt-hung cord strain relief	F02502
34	Screw, 5/16-18 x 1 1/4"	C03231
35	Screw, 5/16-18 x 2"	C03232
36	Spacer	K00734

WHEEL ASSEMBLY

37	Rear wheel	G03512
38	Front caster	G03514
39	Bolt, 5/16-18 x 1 3/4"	C02263
5	Pop rivet	C02266
6	Rivet washer	C02265
42	Washer	C00233



IMPORTANT!!

Complete this immediately (TODAY) and keep on file:

1. Serial No. _____
2. Date purchased _____
3. Name of dealer _____
4. Dealer's address _____

**MADE IN U.S.A. BY
EDIC**

EFFECTIVE DATE 9/93
ZF1146